

LIST PRICING AND SPECIFICATION GUIDE

CANADA Pricing



Building Your Product Code Using This Price Guide



W 1 6 W M 14 CF 57 - - - -

Monofilament Stripe Mesh in Platinum chosen from page 46

Corde 4 Textile in Navy chosen from page 44

COMPONENT	CODE	BASE MODEL PRICE	\$1,220
LINE	W	Diffrient World Chair	-
STYLE	1	Conference/Task Chair	-
ARMRESTS	0	Armless	-
	6	Fixed Duron Arms	\$123
	7	Fixed Duron Arms with Matching Textile - Available with textile covered seat only	\$161
	1	Height Adjustable Duron Arms	\$262
	2	Height Adjustable Duron Arms with Matching Textile - Available with textile covered seat only	\$302
FRAME COLOR	B	Black	-
	W	White	\$31
	V	Gray	-
BACKREST MESH STYLE	○	See pages 67-72 for color options and codes	
BACKREST MESH COLOR	○	See pages 67-72 for color options and codes	
SEAT MESH/ TEXTILE STYLE	○	Mesh (A,N,J)	-
	○	Textile Grade 1 (FT,K,CF)	\$110
	○	Textile Grade 2 (F)	\$173
SEAT MESH/ TEXTILE COLOR		See pages 67-72 for color options and codes	
CYLINDER	—	Standard 5"	-
	A	3" Return to Height Cylinder	\$66
	E	5" Return to Height Cylinder	\$66
	L	Low 3.75"	\$40
	W	High 8" Cylinder w/ 20" Foot Ring	\$194
	Y	Extra-high 10" Cylinder w/ 20" Foot Ring	\$194
	—	Standard Hard Casters	-
CASTERS/GLIDES	S	Soft Casters	\$26
	G	Glides	\$33
	—	Standard Hard Casters	-
FIREPROOFING	—	Standard Plastics and Foams	-
	C	CAL133 Label Applied to Underside of Chair	-
BASE	—	Standard	-
	A	Polished Aluminum Base	\$215
SHIPPING	—	Individually Boxed	-
	B	Blanket Wrapped - See Terms and Conditions for minimum order requirements	-

Total: **\$1,484**

Humanscale

CANADIAN QUICK SHIP GUIDE

🇨🇦 Pricing Effective March 2024



function
simplicity
longevity

QUICK SHIP PROGRAM

Humanscale offers a Quick Ship program across our key product categories to provide you and your customers faster lead times on specific model configurations. Please refer to the product page headers in the guide for the lead times available for each category. Aforementioned lead time is honored once order has been confirmed.

Quick Ship lead times are as stated for each product category once the order has been booked. Please allow for 24-48 hour order processing time prior to being booked, as well as delivery transit time from factory. Always refer to your order acknowledgment for the estimated ship date assigned to each order. Please contact your local Humanscale representative for project pricing and demos.



With an innovative recline mechanism that provides constant support and a pivoting backrest that automatically adjusts to the needs of the spine, the Freedom chair delivers exceptional comfort and promotes movement throughout the day. Its refined and sculpted cushions were designed to mimic the body’s natural contours and decrease pressure point loads for premium comfort. Like all Humanscale chairs, the Freedom chair was designed to look and function like new after years of consistent use.

Freedom

Freedom Task Chair with Headrest, Corde 4 Black:
LIST **\$2,124**

- G Graphite
- Color: Black
- Textile: Corde 4
- Height Adjustable Duron arms
- Foam seat pan
- Standard hard casters
- 5" cylinder



F211GCF10.Q

Freedom Task Chair, Corde 4 Black:
LIST **\$1,806**

- G Graphite
- Color: Black
- Textile: Corde 4
- Height Adjustable Duron arms
- Foam seat pan
- Standard hard casters
- 5" cylinder



F111GCF10.Q

Freedom Task Chair, Fourtis Black:
LIST **\$1,806**

- G Graphite
- Color: Black
- Textile: Fourtis
- Height Adjustable Duron arms
- Foam seat pan
- Standard hard casters
- 5" cylinder



F111GFT10.Q

Freedom Task Chair, Fourtis Granite:
LIST **\$1,806**

- G Graphite
- Color: Granite
- Textile: Fourtis
- Height Adjustable Duron arms
- Foam seat pan
- Standard hard casters
- 5" cylinder



F111GFT12.Q

*Availability based on volume/quantity ordered.



The Liberty Task chair is an intelligent mesh back task chair engineered to provide automatic lumbar support for every user, as well offering simplicity and complete ease of use. Liberty was designed to offer a unique, minimal aesthetic and to provide custom comfort for every person who sits in it. Liberty uses Humanscale's revolutionary Form-Sensing Mesh Technology and mechanism-free recline for perfect support and unprecedented comfort.

Liberty

Liberty Task Chair, Monofilament Stripe Black Backrest, Corde 4 Black Seat:
LIST **\$1,797**

- Backrest Textile/Color: Monofilament Stripe, Black
- Seat Textile/Color: Corde 4, Black
- Height Adjustable Duron Arms
- Black frame with black trim
- Foam seat pan
- Standard hard casters
- 5" cylinder



L111BM10CF10.Q

Liberty Task Chair, Monofilament Stripe Black Backrest, Fourtis Black Seat:
LIST **\$1,797**

- Backrest Textile/Color: Monofilament Stripe, Black
- Seat Textile/Color: Fourtis 4, Black
- Height Adjustable Duron Arms
- Black frame with black trim
- Foam seat pan
- Standard hard casters
- 5" cylinder



L111BM10FT10.Q

Liberty Side Chair, Monofilament Stripe Black Backrest, Monofilament Stripe Black Seat:
LIST **\$913**

- Backrest Textile/Color: Monofilament Stripe, Black
- Seat Textile/Color: Monofilament Stripe, Black
- Fixed Duron Arms
- Black frame with black trim



L406BM10M10 **

*Availability based on volume/quantity ordered.
**10 day lead time

The Diffrient Smart chair is an intelligent mesh back task chair with a striking linear aesthetic that complements any environment. Engineered to provide automatic lumbar support for every user, as well as simplicity and ease of use, Diffrient Smart offers comfort, style and flexibility. Diffrient Smart was created by designer Niels Diffrient and uses Humanscale’s revolutionary Form-Sensing Mesh Technology and mechanism-free recline for perfect support for every user.

Smart

Diffrient Smart Chair,
Monofilament Stripe Black Back,
Corde 4 Black Seat:
LIST **\$1,982**

- Backrest Textile/Color:
Monofilament Stripe, Black
- Seat Textile/Color:
Corde 4, Black
- Adjustable Duron Arms
- Black frame with black trim
- Foam seat pan
- Standard hard casters
- 5" cylinder



S413BM10CF10.Q

Diffrient Smart Chair,
Monofilament Stripe Black Back,
Courtis Black Seat:
LIST **\$1,982**

- Backrest Textile/Color:
Monofilament Stripe, Black
- Seat Textile/Color:
Courtis, Black
- Adjustable Duron Arms
- Black frame with black trim
- Foam seat pan
- Standard hard casters
- 5" cylinder



S413BM10FT10.Q

Diffrient Smart Chair,
Pinstripe Black Back,
Corde 4 Black Seat:
LIST **\$2,139**

- Backrest Textile/Color:
Pinstripe, Black
- Seat Textile/Color:
Corde 4, Black
- Adjustable Duron Arms
- Dark gray frame with aluminum trim
- Foam seat pan
- Standard hard casters
- 5" cylinder



S413DN10CF10.Q

Diffrient World is Humanscale’s first foray into all-mesh task seating. Designer Niels Diffrient wanted to create the most minimal, full-function task chair ever made. With an innovative tri-panel mesh backrest that provides custom back and lumbar support and a lightweight design, Diffrient World is, like all of Humanscale’s products, simple, beautiful and functional. The design eliminates the need for traditional mechanisms, instead using the laws of physics and the sitter’s body weight to offer perfect recline for each individual sitter. Diffrient World offers the ultimate user-friendly sitting experience.

World

Diffrient World Chair, Pinstripe Black Back, Pinstripe Black Seat
LIST **\$1,556**

- Backrest Textile/Color: Pinstripe, Black
- Seat Textile/Color: Pinstripe, Black
- Height Adjustable Duron Arms
- Black frame with black trim
- Foam seat pan
- Standard hard casters
- 5" cylinder



W11BN10N10.Q

Diffrient World Chair, Catena Black Back, Catena Black Seat
LIST **\$1,556**

- Backrest Textile/Color: Catena, Black
- Seat Textile/Color: Catena, Black
- Height Adjustable Duron Arms
- Black frame with black trim
- Foam seat pan
- Standard hard casters
- 5" cylinder



W11BJ10J10

Diffrient World Chair, Monofilament Stripe Black Back, Corde 4 Black Seat
LIST **\$1,672**

- Backrest Textile/Color: Monofilament Stripe Black
- Seat Textile/Color: Corde 4 Black
- Height Adjustable Duron Arms
- Black frame with black trim
- Foam seat pan
- Standard hard casters
- 5" cylinder



W11BM10CF10.Q

The Red Dot-Award winning Trea chair teams a timeless, clean aesthetic with high-performance function. Created in collaboration with visionary designer Todd Bracher, Trea offers intuitive comfort by mimicking the instinctive recline of the human body and embracing the sitter in a supportive shell.

Trea

Trea, White Powder Backrest and Seat, with Four Leg Base:
LIST **\$877**

- Back Rest Color: White Powder
- Seat Color: White Powder
- Base: Four Leg, White Powder
- Glides



T100WWW-G--

Trea, White Powder Backrest and Seat, with Four Star Base:
LIST **\$1,405**















- Back Rest Color: White Powder
- Seat Color: White Powder
- Base: Four Star, White Powder
- Hard Casters



T300WWW-C--

MONITOR ARMS SHIPS IN 5 BUSINESS DAYS*

Our revolutionary new monitor arms were designed for unprecedented adaptability and instantly improve the comfort, health and productivity of any workspace. Featuring innovations like Humanscale's patented Weight-Compensating Spring Technology and Smart Stop functionality, these adjustable monitor arms enable the personalization and flexibility needed for today's evolving workplaces.

M2.1	M8.1	M8.1 w/Crossbar	M8.1 w/Crossbar & Handle
LIST \$524	LIST \$822	LIST \$1,048	LIST \$1,174
<ul style="list-style-type: none"> • Arm Style: Angled Link/ Dynamic Link • Accommodates one monitor up to 15.5 lbs • Two-piece clamp mount base 	<ul style="list-style-type: none"> • Arm Style: Angled Link/ Dynamic Link • Accommodates one monitor up to 28 lbs • Two-piece clamp mount base 	<ul style="list-style-type: none"> • Arm Style: Angled Link/ Dynamic Link • Accommodates two monitors up to 12.5 lbs each • Two-piece clamp mount base 	<ul style="list-style-type: none"> • Arm Style: Angled Link/ Dynamic Link • Accommodates two monitors up to 12.5 lbs each • Two-piece clamp mount base with handle
			
Silver with Gray Trim M21TBS	Silver with Gray Trim M81TBS	*Silver with Gray Trim and Gray VESA Bracket M82CGS	*Silver with Gray Trim and Gray VESA Bracket M82HGS
			
Polished Aluminum White Trim M21TBW	Polished Aluminum White Trim M81TBW	Silver with Gray Trim M82CBS	Silver with Gray Trim M82HBS
			
Black with Black Trim M21TBB	Black with Black Trim M81TBB	Polished Aluminum White Trim M82CBW	Polished Aluminum White Trim M82HBW
			
		Black with Black Trim M82CBB	Black with Black Trim M82HBB

*Availability based on volume/quantity ordered.



MONITOR ARMS SHIPS IN 5 BUSINESS DAYS*

Our revolutionary new monitor arms were designed for unprecedented adaptability and instantly improve the comfort, health and productivity of any workspace. Featuring innovations like Humanscale's patented Weight-Compensating Spring Technology and Smart Stop functionality, these adjustable monitor arms enable the personalization and flexibility needed for today's evolving workplaces.

M10

M10 w/Triple Crossbar & Handle

LIST \$905

- Arm Style: Angled Link/Dynamic Link
- Standard monitor tilt (one per monitor)
- Accommodates one monitor up to 48 lbs
- Two-piece clamp mount base



Silver with Gray Trim
M11TBS



Polished Aluminum White Trim
M11TBW



Black with Black Trim
M11TBB

LIST \$1,428

- Arm Style: Angled Link/Dynamic Link
- Accommodates three monitors up to 10.5 lbs each
- Two-piece clamp mount base with handle



Silver with Gray Trim
M13HBS













Polished Aluminum White Trim
M13HBW



MONITOR ARMS SHIPS IN 5 BUSINESS DAYS*

Our revolutionary new monitor arms were designed for unprecedented adaptability and instantly improve the comfort, health and productivity of any workspace. Featuring innovations like Humanscale’s patented Weight-Compensating Spring Technology and Smart Stop functionality, these adjustable monitor arms enable the personalization and flexibility needed for today’s evolving workplaces.

M/Flex	M/Flex for Two Monitors	M/Flex for Two Monitors & Dual Arm Bracket	M/Flex for Two Monitors w/Slider & Dual Arm Bracket
LIST \$769	LIST \$1,075	LIST \$1,075	LIST \$1,040
<ul style="list-style-type: none"> • Arm Style: 8" Straight Link/Dynamic Link • Accommodates one monitor up to 15.5 lbs • Two-piece clamp mount base 	<ul style="list-style-type: none"> • Arm Style: 4" Straight/ Angled Link/ Dynamic Link • Accommodates two monitors up to 15.5 lbs • Two-piece clamp mount base 	<ul style="list-style-type: none"> • Arm Style: 8" Straight Link/Dynamic Link • Accommodates two monitors up to up to 15.5lbs • Two-piece clamp mount base 	<ul style="list-style-type: none"> • Arm Style: Dynamic Link • Accommodates two monitors up to 12.5 lbs each • Two-piece clamp mount base
			
Silver with Gray Trim X21TBS	Silver with Gray Trim X22DBS	*Silver with Gray Trim with 8" Straight Link X22TBS	Silver with Gray Trim with Slider X22SBS
			
Polished Aluminum White Trim X21TBW	Polished Aluminum White Trim X22DBW	*Polished Aluminum White Trim with 8" Straight Link X22TBW	Polished Aluminum White Trim with Slider X22SBW
			
	Black with Black Trim X22DBB		BLACK WITH BLACK TRIM WITH SLIDER X22SBB

*Availability based on volume/quantity ordered.



MONITOR ARMS ACCESSORIES SHIPS IN 5 BUSINESS DAYS*

Our monitor arms accessories support the Essential Workstation by helping to keep desks clutter-free.

Accessory Holder + Handle + Universal Accessory Bracket

LIST \$263



Silver
SMAHHA-S



Black
SMAHHA-B

Accessory Holder + Universal Accessory Bracket

LIST \$130



Silver
SMAH-S



Black
SMAH-B

Accessory Holder Kit

LIST \$95

- For retrofitting onto a setup which already has the Universal Accessory Bracket & Handle



Silver
SMAHK-S



Black
SMAHK-B

*Availability based on volume/quantity ordered.



QuickStand Eco is an innovation in portable sit/stand desk solutions. Sleeker, easier to use and comprised of more sustainable materials than ever before, our adjustable standing desk solutions are a vast improvement over the current generation of sit/stand surfaces. QuickStand Eco features simple setup, portability and near effortless adjustability — transforming ordinary desktops into healthy, active workspaces.

**QuickStand Eco 2.0,
Single Monitor
2nd Generation**

LIST **\$1,006**

- Single monitor sit/stand workstation
- Minimal, compact and portable design complements any space
- Manufactured with sustainable, non-toxic materials
- Integrated cable management
- Freestanding base
- 18.6" height adjustment range
- Main assembly accommodates up to 35 lb
- Product Weight: 42.3 lb



White
QSE2SMW



Black
QSE2SMB

**QuickStand Eco 2.0,
Dual Monitor
2nd Generation**

LIST **\$1,163**

- Dual monitor sit/stand workstation
- Minimal, compact and portable design complements any space
- Manufactured with sustainable, non-toxic materials
- Integrated cable management
- Freestanding base
- 18.6" height adjustment range
- Main assembly accommodates up to 35 lb
- Product Weight: 45.0 lb



White
QSE2DMW



Black
QSE2DMB



SIT/STAND SHIPS IN 5 BUSINESS DAYS*

Designed with simplicity in mind, eFloat Go 2.0 is the latest addition to our electric sit/stand desk line. This height-adjustable table base features updated sit/stand technology. Features include advanced anti-collision sensors, quiet motors and a digital handset with both USB-A and USB-C Ports for easy, near-silent adjustment and convenient charging.

eFloat Go 2.0, 24" D X 48"*

LIST \$1,550

- Electric height-adjustable table
- Programmable hand switch automatically adjusts to each user's preferred height
- Expandable frame accommodates worksurfaces 48"- 72"wide
- Top Size: 24" D X 48" W (*Bamboo: 23" X 46")



Top Color: White Laminate
Base Color: Silver
FYH12TS2448WH



Top Color: Black Laminate
Base Color: Silver
FYH12TS2448BL



Top Color: Bamboo
Base Color: Silver
FYH12TS2448BM

eFloat Go 2.0, 30" D x 60" W*

LIST \$1,661

- Electric height-adjustable table
- Programmable hand switch automatically adjusts to each user's preferred height
- Expandable frame accommodates worksurfaces 48"- 72"wide
- Top Size: 30" D X 60" W (*Bamboo: 29" X 58")



Top Color: White Laminate
Base Color: Silver
FYH12TS3060WH



Top Color: Black Laminate
Base Color: Silver
FYH12TS3060BL



Top Color: Bamboo
Base Color: Silver
FYH12TS3060BM

Float is a revolutionary standing office desk that brings effortless operation to traditional sit-stand products. Ease of use is at the heart of Float, as it seamlessly adjusts between sitting and standing postures without interrupting workflow. With a minimal aesthetic, Float complements traditional offices and home workspaces.

Float, 24" D X 48" W

LIST \$3,086

- Height-adjustable table
- Removable Counterbalance adjuster for effortless adjustment
- Accommodates 48"- 54" wide tops with a 24" depth
- Top Size: 24" D X 48" W



Top Color: White with Flat Edge Finish
Base Color: White
FTWR422448WHF



Top Color: White with Flat Edge Finish
Base Color: Silver
FTSR422448WHF



Top Color: Black with Flat Edge Finish
Base Color: Black
FTBR422448BLF

Float, 30" D x 60" W

LIST \$3,235

- Height-adjustable table
- Removable Counterbalance adjuster for effortless adjustment
- Accommodates 60"- 72" wide tops with a 30" depth
- Top Size: 30" D X 60" W



Top Color: White with Flat Edge Finish
Base Color: White
FTWR633060WHF



Top Color: Black with Flat Edge Finish
Base Color: Black
FTBR633060BLF



When introduced in 2011, Horizon became an instant icon and was honored with the design industry's prestigious Red Dot Award. Its innovative Thin Film LED Technology and striking minimal design earned it a place in the Museum of Modern Art's permanent collection. Humanscale has improved this classic's functionality, light quality, and energy efficiency to ensure it remains at the forefront of sustainability and performance.

Horizon

LIST \$745

- Thin Film LED Technology
- Touch Dimming
- Desktop Base
- Working height: 18.5"
- 7.5-Watts
- Made without Red List chemicals
- Energy Star 2.0 Certified
- Warranty: 10 Years, 24/7



Silver
H2BES



Artic White
H2BEW



Jet Black
H2BEB



Twilight Blue
H2BEL









Morning Pink
H2BEK



Bronze Gold
H2BEZ

Designed to complement any work surface and enhance any workstyle, the new Nova task light offers endless adaptability in a striking, sculptural form. The custom lens and LED array create a uniform pool of glare-free light that can be adjusted exactly to each user’s preference. Energy Star-certified to benefit people and the planet, Nova is a lighting solution for today and the future.

Nova, Desktop Base	Nova, Charging Desktop Base	Nova, Clamp
LIST \$878	LIST \$940	LIST \$772
<ul style="list-style-type: none"> • Advanced LED Technology and >91 CRI • Touch Dimming with occupancy sensor • Made without Red List chemicals • Energy Star 2.0 Certified • Desktop Base • Working Height: Lower Arm – 15.9”, Upper Arm: 15.1” • Power Consumption: 7 Watts • Warranty: 10 Years, 24/7 	<ul style="list-style-type: none"> • Advanced LED Technology and >91 CRI • Touch Dimming with occupancy sensor • Made without Red List chemicals • Energy Star 2.0 Certified • Desktop Base • Working Height: Lower Arm – 15.9”, Upper Arm: 15.1” • Power Consumption: 7 Watts • Warranty: 10 Years, 24/7 	<ul style="list-style-type: none"> • Advanced LED Technology and >91 CRI • Touch Dimming with occupancy sensor • Made without Red List chemicals • Energy Star 2.0 Certified • Desktop Base • Working Height: Lower Arm – 15.9”, Upper Arm: 15.1” • Power Consumption: 7 Watts • Warranty: 10 Years, 24/7
		
<p>Light Gray NV3EBG</p>	<p>Arctic White NV3EYW</p>	<p>Light Gray NV3ECG</p>
		
<p>Jet Black NV3EBB</p>	<p>Jet Black NV3EYB</p>	<p>Jet Black NV3ECB</p>

*Availability based on volume/quantity ordered.



KEYBOARD SYSTEMS SHIPS IN 5 BUSINESS DAYS*

In many ways, a keyboard support is the heart of an ergonomic workstation. As reach and vision drive posture, our keyboard trays allow the user to sit in a healthy, neutral posture through bringing the keyboard and mouse to the user in an ergonomic position. These well-designed keyboard trays offer protection from carpal tunnel syndrome, neck and back pain and other musculoskeletal issues.

6G90090HG22

LIST \$663

- Sleek and intuitive, 7" height adjustable arm
- 900 Keyboard platform
- 8.5" High clip mouse platform
- Gel palm support
- 22" Track
- Color: Black



6GW90090HG22

LIST \$663

- Sleek and intuitive, 7" height adjustable arm
- 900 Keyboard platform
- 8.5" High clip mouse platform
- Gel palm support
- 22" Track
- Color: White



6FB259S12

LIST \$484

- Fixed arm for Height Adjustable Tables
- 259 Keyboard platform
- Slim palm support
- 12" Track
- Color: Black



6FW259S12

LIST \$484

- Fixed arm for Height Adjustable Tables
- 259 Keyboard platform
- Slim palm support
- 12" Track
- Color: White



*Availability based on volume/quantity ordered.



FOOT ROCKERS SHIPS IN 5 BUSINESS DAYS*

Making movement at the workstation simple, our dynamic Foot Rockers are designed to maximize comfort while promoting an active workspace. Our Foot Rockers raise the feet to relieve pressure on the lower back and encourage gentle rocking, which uses the lower leg muscles to increase circulation and boost energy.

FR500C

LIST \$195

- Non-skid inset pads surface
- Solid hardwood platform with steel frame
- Curved leg design encourages rocking motion to provide lower back support
- Available in retail shelf packaging by adding an "-R" at the end of the configuration code when submitting the order (FR500C-R)
- Dimensions: 12.25" D x 16.75" W x 4.5" H
- Color: Cherry



FR500K

LIST \$195

- Non-skid inset pads surface
- Solid hardwood platform with steel frame
- Curved leg design encourages rocking motion to provide lower back support
- Available in retail shelf packaging by adding an "-R" at the end of the configuration code when submitting the order (FR500K-R)
- Dimensions: 12.25" D x 16.75" W x 4.5" H
- Color: Black



FR300

LIST \$195

- Solid hardwood platform with steel frame
- Non-skid surface
- Dimensions: 11.875" D x 16" W x 3.75-6.75" H
- Height range: 3.75" to 6.75"
- Color: Natural



FR100

LIST \$195

- Non-skid inset pads surface
- Friction angle adjustments for easy positioning and lower back support
- Dimensions: 12.25" D x 16.75" W x 4.5" H
- Color: Natural



*Availability based on volume/quantity ordered.



The Razer™ Pro Click, designed in collaboration with Humanscale, is a state-of-the-art wireless ergonomic computer mouse built for comfort and productivity. Engineered by top ergonomists and designers, Pro Click's shape contours to the user's palm, eliminating any contact between the hand and the work surface. Designed with a 30-degree tilt, Pro Click promotes a natural ergonomic arm posture to alleviate unwanted wrist strain for all-day comfort.

PRO CLICK ERGONOMIC MOUSE

LIST \$255

- Designed with ergonomics and precision for all day comfort and high-performance productivity
- Wireless connectivity
- Pairs to up to 4 devices
- 8 programmable buttons for efficient, extended controls
- Battery life extends to up to 400 hours
- Durable for up to 50 million clicks
- Micro USB charging
- OS requirements: Windows
- Size: 126.7mm x 79.7mm x 45.7mm
- Weight: 106g
- Color: White with grey trim (polished accents)
- Warranty: 2 Years, 24/7



PROCLICK-NA

NEAT SUITE SHIPS IN 5 BUSINESS DAYS*

This suite of solutions helps organize the workspace and positions technology exactly where you need them, and in the most tidy way possible. Convert any ordinary desk into a smart, connected workstation.

NeatHub

LIST \$343

- Easy to install and attaches to almost any work surface
- Supports mobile devices, laptops, or any device using an AC or USB plug
- Smart Power Distribution Technology balances power delivery to prevent overcharging and short-circuiting
- Compatible with NeatTech Cable management



Available in white or black (inset)

NeatCharge

LIST \$321

- No touchpoints – simply place your mobile device on the table to charge
- Wirelessly charge up to 10W of Qi-compatible devices
- Accommodates work surfaces up to 1.18" thick





FREEDOM

With Freedom, the knobs, levers and locks of current-generation task chairs have been replaced by intelligent mechanisms that automatically support the body as it moves from task to task. By minimizing the need for manual controls, Freedom maximizes natural, spontaneous movement, which is essential for a healthy body and a comfortable day's work.

Freedom's many features can be enjoyed with virtually no effort.



FREEDOM Features & Characteristics



DYNAMIC HEADREST

- Position-sensitive headrest moves into place when you recline and out of the way when you sit upright
- 5" vertical adjustment to fit all users
- Moves in the natural arc of head/neck for perfect support through range of recline
- Contoured to cradle the head and neck in comfort

SELF-ADJUSTING RECLINE

- Intelligent counter-balance recline mechanism automatically provides the right amount of support through the full range of recline motion, regardless of user size and weight
- No tension springs to adjust
- No recline locks to set / release
- During recline, the angle between torso and legs opens up for better body function
- User maintains near-constant eye level during recline

PIVOTING BACKREST

- Extra motion of the backrest during recline automatically adjusts to the changing needs of the spine
- Provides up to 1" additional lumbar support when needed

SYNCHRONOUS ARMRESTS

- Revolutionary armrests move in tandem to eliminate uneven arm positioning
- Natural lift and release action for immediate repositioning without buttons or locks
- 6" range of vertical motion to accommodate all users and tasks
- Can be positioned below thigh level for close to table or desk work
- Attached to backrest so arms stay in same relation to body during recline
- Duron arm pad for durability and comfort

CUSHIONS

- Carefully sculpted to match body contours
- Increased contact area reduces pressure points
- Modular for easy replacement
- Molded polyurethane foam cushions
- Optional arm pads and seat have top layer of Technogel®
- Upholstered with a variety of materials customized to the unique form of the cushion

GEL SEAT CUSHION

- Non-degradable, non-compressible Technogel® layer on top of foam core
- Provides maximum pressure distribution
- Offers unmatched, long-term comfort

CYLINDER OPTIONS

- Provides seat height range that accommodates 95% of the population
- Low cylinder for small users
- Tall cylinder for very tall users
- High cylinder with foot ring
- Extra-high cylinder with foot ring (Saddle seat only)

External Frame and OPTIONAL Base UPGRADE

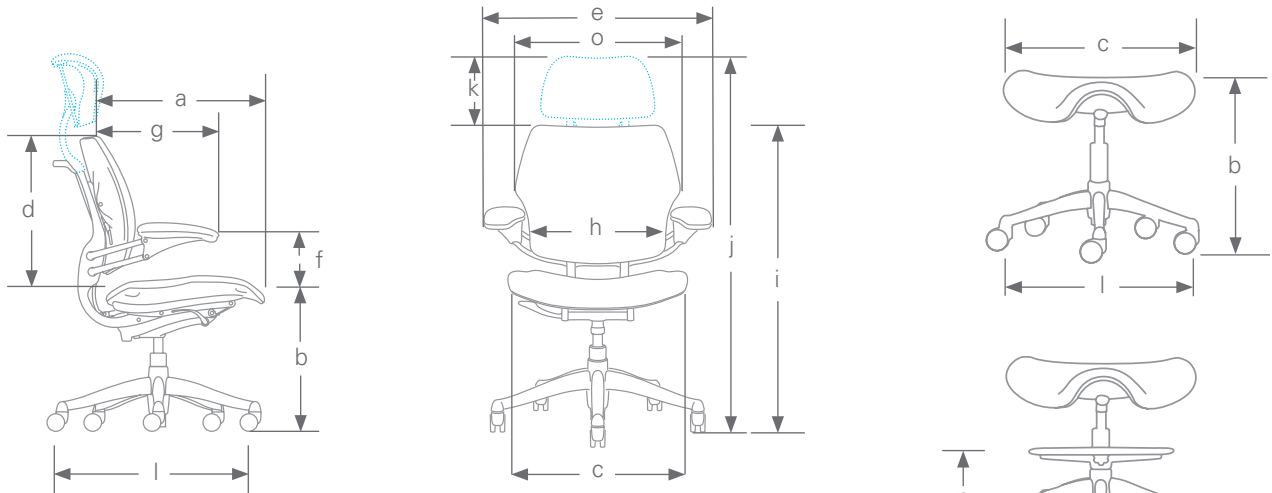
- Die-cast aluminum with fused plastic coating or polished aluminum finish

CASTER OPTIONS

- 2.5" soft double-wheel casters for hard floors
- Non-rolling glides for fixed-location use
- 2.5" locking casters



FREEDOM Specifications



CODE	DESCRIPTION	MEASUREMENT
a	Seat Depth (from face of lumbar to front of seat)	17.40" - 19.85"
b	Seat Height (floor to compressed front center of seat cushion)	Headrest and Task
		16.125" - 20.25" standard cylinder chair
		17" - 22.35" tall-cylinder chair
		20.25" - 27.75" high-cylinder chair
		17.5" - 22.25" return to height cylinder chair
		Saddle / Pony
17.3" - 22.1" standard cylinder stool		
18.2" - 23.2" tall-cylinder stool		
19.9" - 27.5" high cylinder stool		
22.4" - 32.5" extra-high cylinder with glides		
Active Pony		
20.5" - 24.91" standard cylinder stool		
21.91" - 27.11" tall cylinder stool		
24.94" - 32.90" high cylinder stool		
c	Seat Width	21" Chair 22" Saddle seat 16" Pony Saddle and Active Pony seat
d	Backrest Height (from seat cushion to top of backrest)	18" - 20.9" 3" in 0.25" increments
e	Chair Width	26.75" with arms 21.1" without arms
f	Armrest Height (compressed seat cushion to top of armrest)	3.75" - 9.6"
g	Armrest Length (from face of lumbar to front of armrest)	8.8"
h	Distance between armrests (front inside edge)	19" standard 18.25" - 21.25" advanced
i	Height, Task Chair	34.625" - 41.775" standard cylinder
		36.125" - 44.025" tall-cylinder
		39.0" - 49.4" high-cylinder
		35.25" - 40.775" 3" return to height cylinder
		35.5" - 40.775" 5" return to height cylinder
j	Height, Task Chair with Headrest	42.375" - 54.275" standard cylinder
		43.875" - 56.525" tall-cylinder
		46.75" - 61.9" high-cylinder
		43.0" - 53.275" 3" return to height cylinder
		43.0" - 53.275" 5" return to height cylinder
k	Headrest Height Adjustment Range	5"
l	Base Diameter	25" chair, high or extra-high Saddle / Pony
		22" standard Saddle / Pony
		26.8" standard Active Pony
m	Foot Ring Diameter	20"
n	Foot Ring Height Adjustment (from floor)	6" - 11"
o	Backrest Width	21"

SCOPE OF USERS
<ul style="list-style-type: none"> Standard chair fits more than 95% of the office population <ul style="list-style-type: none"> - 5'0" Woman to 6'4" Man - 100 to 400 lbs. Users outside the standard range can be accommodated by <ul style="list-style-type: none"> - Low or Tall Cylinder - Advanced Armrests
WEIGHT
<ul style="list-style-type: none"> 38 lbs. Headrest with arms 34 lbs. Headrest without arms 34 lbs. Task with arms 30 lbs. Task without arms 14 lbs. Saddle 20 lbs. Saddle with Foot Ring 14 lbs. Pony Saddle 18 lbs. Pony Saddle with Foot Ring 14 lbs. Active Pony
BACKREST RECLINE
<ul style="list-style-type: none"> 22° recline plus 7° backrest tilt
REFERENCE ANGLE BETWEEN SEAT AND BACK
<ul style="list-style-type: none"> 100° to 129°
HEADREST RADIAL MOTION
<ul style="list-style-type: none"> 30°



FREEDOM Build Your Product Code

			Freedom Task		Freedom Headrest	
			F11		F21	
COMPONENT	CODE	BASE MODEL PRICE	LIST \$1,612		LIST \$1,930	
ARMREST	0	Armless (Required option for Saddle/Pony)	—		—	
	1	Standard Duron Arms	\$161		\$161	
	2	Standard Duron Arms with Matching Textile	\$196		\$196	
	3	Advanced Duron Arms	\$290		\$290	
	4	Advanced Duron Arms with Matching Textile	\$328		\$328	
FRAME	G	Graphite	—		—	
	A	Polished Aluminum with Graphite <i>Comes standard with polished aluminum base</i>	\$365		\$398	
TEXTILE		Textile Grade 1 (FT,K,CF)	\$34		\$34	
		Textile Grade 2 (F, RF, RM)	\$124		\$138	
		Textile Grade 3 (HL, SQ, ST)	\$351		\$374	
		Textile Grade 4 (AR, CD, EL, VN)	\$680		\$704	
		Leather Grade 1 (TL)	\$1,050		\$1,206	
		Leather Grade 3 (CL)	\$2,170		\$2,750	
TEXTILE COLOR		See pages 67-72 for color options and codes				
LEATHER STITCHING <i>X is the identifier used when fabric selected</i>	X	If leather is selected, see page 71 for stitch options No leather selected	—		—	
GEL SEAT	F	Standard Foam Seat Pan	—		—	
	G	Gel Seat - <i>Not compatible with Lotus or with leather textiles</i>	\$120		\$120	
CYLINDER	S	Standard 5"	—		—	
	A	3" Return to Height Cylinder	\$69		\$69	
	E	5" Return to Height Cylinder	\$69		\$69	
	T	Tall 5"	\$61		\$60	
	W	High 8" w/20" Foot Ring	\$204		\$204	
CASTER TYPE	H	Standard Hard Casters	—		—	
	G	Glides	\$35		\$35	
	S	Soft Casters	\$35		\$35	
	K	Automatic Locking Casters	\$181		\$181	
FIRE PROOFING	N	Standard Foams and Plastics	—		—	
	C	CAL 133-Approved Foams and Plastics	\$93		\$120	
BASE UPGRADE <i>Standard Aluminum Base should be selected with A and M frame colors.</i>	S	Standard Base to Match Frame	—		—	
	M	Powder-coated Aluminum Base to match Graphite frame color	\$79		\$79	
	A	Polished Aluminum Base on Graphite Frame	\$226		\$226	
SHIPPING	C	Individually Boxed	—		—	
	B	Blanket Wrapped <i>See Terms and Conditions for minimum order requirements</i>	—		—	



FREEDOM Build Your Product Code

			Freedom Saddle	Freedom Pony	Active Pony
			F30	F40	F50
COMPONENT	CODE	BASE MODEL PRICE	LIST \$509	LIST \$463	LIST \$609
ARMREST	0	Armless	—	—	—
FRAME	G	Graphite	—	—	—
	A	Polished Aluminum with Graphite <i>Comes standard with polished aluminum base</i>	\$211	\$211	N/A
TEXTILE		Textile Grade 1 (FT,K,CF)	\$18	\$18	\$18
		Textile Grade 2 (F, RF, RM)	\$64	\$64	\$64
		Textile Grade 3 (HL, SQ, ST)	\$287	\$287	\$287
		Textile Grade 4 (AR, CD, EL, VN)	\$617	\$617	\$617
		Leather Grade 1 (TL)	\$642	\$642	\$642
		Leather Grade 3 (CL)	\$1,036	\$1,036	\$1,036
TEXTILE COLOR GEL SEAT <i>X is the identifier used when fabric selected</i>		See pages 67-72 for color options and codes			
	F	Standard Foam Seat Pan	—	—	—
CYLINDER	S	Standard 5"	—	—	—
	L	Low Cylinder 3.75"	\$36	\$36	\$36
	A	3" Return to Height Cylinder	\$69	\$69	N/A
	E	5" Return to Height Cylinder	\$69	\$69	N/A
	T	Tall 5"	\$60	\$60	\$60
	H	High 8"	\$60	\$60	\$60
	W	High 8" w/20" Foot Ring	\$202	\$202	N/A
	Y	Extra-High 10" w/20" Foot Ring <i>Only available with Glides or Locking Casters</i>	\$202	\$202	N/A
CASTER TYPE	H	Standard Hard Casters	—	—	N/A
	G	Glides	\$34	\$34	N/A
	S	Soft Casters	\$34	\$34	N/A
	K	Automatic Locking Casters	\$179	\$179	\$179
FIRE PROOFING	N	Standard Foams and Plastics	—	—	—
	C	CAL 133-Approved Foams and Plastics	\$53	\$53	N/A
BASE UPGRADE <i>Standard Aluminum Base should be selected with A and M frame colors.</i>	S	Standard Base to Match Frame	—	—	—
SHIPPING	C	Individually Boxed	—	—	—
	B	Blanket Wrapped <i>See Terms and Conditions for minimum order requirements</i>	—	—	—



FREEDOM Options & Prices

REPLACEMENT PARTS	Code	CAL133 Available	Price	Textile 1	Textile 2	Textile 3	Textile 4	Leather 1	Leather 3
-------------------	------	------------------	-------	-----------	-----------	-----------	-----------	-----------	-----------

Seat Cushions									
Seat (Foam)	S 12224F	C		\$202	\$245	\$297	\$378	\$882	\$1,338
Seat (Gel)	S 1222G	C		\$322	\$364	\$416	\$497	N/A	N/A
Back	B 12224F	C		\$202	\$245	\$297	\$378	\$882	\$1,338
Saddle Seat	L 1222	C		\$227	\$308	\$360	\$441	\$942	\$1,402
Pony Saddle	LP 1222	C		\$195	\$278	\$330	\$411	\$908	\$1,370
Headrest	H 1222F	C		\$181	\$194	\$246	\$327	\$381	\$608

Armrest Cushions									
Standard Duron Arm Pads	FA		\$75	N/A	N/A	\$157	\$169	N/A	N/A
Advanced Duron Arm Pads	FV		\$75	N/A	N/A	\$157	\$169	N/A	N/A
Standard Duron Arm Pads with Matching Textile (Pair)	FAM 1222	C		\$105	\$138	\$157	\$169	\$188	\$301
Advanced Duron Arm Pads with Matching Textile (Pair)	FVM 1222	C		\$105	\$138	\$157	\$169	\$188	\$301

RETROFIT PARTS	Code	CAL133 Available	Price	Textile 1	Textile 2	Textile 3	Textile 4	Leather 1	Leather 3
Advanced Duron Arms	KDA3		\$293	N/A	N/A	N/A	N/A	N/A	N/A
Advanced Duron Arms with Matching Textile	KDAM31222	C		\$326	\$342	N/A	N/A	\$397	\$526
Freedom Task Chair Coat Hanger Kit	FREEDOM TASK COAT HANG KIT		\$116						
Freedom Headrest Chair Coat Hanger Kit	FREEDOM HEADREST COAT HANG KIT		\$99						

Any code containing a number refers to the component or textile that must be selected to order the replacement or retrofit part.

1- Textile Code **2-** Cushion Color **3-** Frame/Cushion Shell Color (G=Graphite) **4-** Leather Stitch Color (page 42)





DIFFRIENT SMART

Ideal for any designed environment, Diffrient Smart features aesthetics that are as minimal visually as the chair is functional. And, with its signature weight-sensitive recline, body-fitting Form-Sensing Mesh Technology and unique tri-panel backrest, Diffrient Smart adapts to every user, every time.

Diffrient Smart is also available in the Plus version for a wider seat and with support for up to 400lbs.

DIFFRIENT SMART Features & Characteristics



BODY FIT

Size adjustable to fit more than 95% of the population

CUSHION PAN, BACK FRAME, FIVE-ARM BASE

Injection-molded, structural, integral color plastics

EXTERNAL FRAME

Die-cast aluminum with powder coating

FIREPROOFING

CAL 133-approved: optional fireproof barrier between textile and foam

SELF-ADJUSTING RECLINE

- Intelligent counter-balance recline mechanism automatically provides the right amount of support through the full range of recline motion, regardless of user size and weight
- No tension springs to adjust
- No recline locks to set/release
- During recline, the angle between torso and legs opens up for better body function
- User maintains near-constant eye level during recline

PIVOTING BACKREST

- Extra motion of the backrest during recline automatically adjusts to the changing needs of the spine
- Provides additional lumbar support as needed

FORM-SENSING MESH

- Tri-panel, non-stretch mesh construction creates body-fitting contours and self-adjusting lumbar support for a customized fit
- No external lumbar devices to adjust, break or lose
- Low-abrasion mesh protects clothing
- Modular for easy replacement

ARMREST OPTIONS

- Armless
- Fixed armrests
- Height-adjustable armrests with 5" range of adjustment
- 4D height-adjustable armrests with adjustable armpads (standard on Diffrient Smart Plus)

CONTOURED CUSHIONS

- Carefully sculpted to match body contours
- Increased contact area reduces pressure points
- Modular for easy replacement
- 2" thick cushions on Diffrient Smart with a 19.25" seat width
- 3" thick cushions on Diffrient Smart Plus with a 22" seat width

CYLINDER

- Standard cylinder provides seat height range that accommodates 95% of the population
- Optional low cylinder for small users
- Optional high cylinder for very tall users

BASE

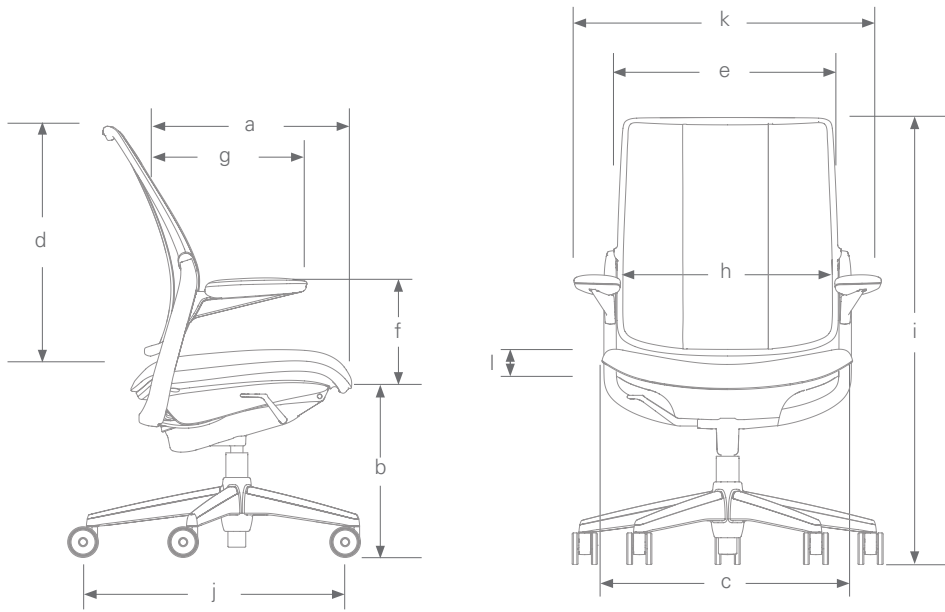
- Plastic base (standard on Diffrient Smart)
- Aluminum base (standard on Diffrient Smart Plus)

CASTER OPTIONS

- Standard 3" casters for carpeted floors
- Optional soft casters for hard floors



DIFFRIENT SMART Specifications



SCOPE OF USERS
<ul style="list-style-type: none"> Conference/Task chair fits 95% of the office population <ul style="list-style-type: none"> – 5'0" (152cm) Woman to 6'4" (193cm) Man – 100 to 400 lbs. (45.4kg – 181kg) Diffrient Smart Plus <ul style="list-style-type: none"> – 100 to 400 lbs. (45.4kg – 181kg) Users outside the standard height range can be accommodated by Low or Tall Cylinder
WEIGHT
<ul style="list-style-type: none"> • 34 lbs. with arms • 31 lbs. without arms
TILT AND RECLINE
<ul style="list-style-type: none"> • 18° recline plus 8° backrest tilt
REFERENCE ANGLE BETWEEN SEAT AND BACK
<ul style="list-style-type: none"> • 93° to 124°

CODE	DESCRIPTION	Diffrient Smart	Diffrient Smart Plus
a	seat depth (from face of lumbar to front of seat)	16.25" – 18.75"	17" – 19"
b	seat height (from floor to compressed front center of seat cushion)	16.5" - 20.75" standard cylinder chair 14.875" - 17.875" low-cylinder chair 17.625" - 22.625" tall-cylinder chair 20.75" - 28.25" 8" high-cylinder chair 17.125" - 19.75" 3" return to height cylinder chair 17.375" - 22.125" 5" return to height cylinder chair	17.5" – 22.75" standard cylinder chair 17.0" – 20.5" Low-Cylinder Chair 18.0" – 23.25" TALL-Cylinder Chair (5") 21.0" – 28.5" HIGH-Cylinder Chair (8") 17.25" – 19.63" Return to height Cylinder (3")
c	seat width	19.25"	22"
d	backrest height (from seat cushion to top of backrest)	22.50"	22.50"
e	backrest width	19"	19"
f	armrest height (from compressed seat cushion to top of armrest)	8.75" fixed 5" – 9.6" adjustable and 4D Arms	5.75" – 10.25" 4D (4D armrests only)
g	armrest length (from face of lumbar to front of armrest)	8.75"	8.75"
h	distance between armrests	18.50" fixed and adjustable 18" - 20" 4D arms	18" - 20" 4D arms (4D armrests only)
i	height	39" - 43.25" standard cylinder chair 37.5" - 40.5" low-cylinder chair 40.25" - 45.25" tall-cylinder chair 43.75" - 51.25" 8" high-cylinder chair 39.625" - 42.25" 3" return to height cylinder chair 39.875" - 44.625" 5" return to height cylinder chair	40" – 44.8" standard cylinder chair 40" – 43.5" low-cylinder chair 41" – 46" tall-cylinder chair 40.3" - 42.5" return to height cylinder chair
j	base diameter	26"	26"
k	chair width	26.5"	26.5"
l	cushion thickness	2"	3"



DIFFRIENT SMART Build Your Product Code

COMPONENT	CODE	BASE MODEL PRICE	Diffrient Smart		Diffrient Smart Ocean		Diffrient Smart Plus	
			LIST \$1,647		LIST \$1,727		LIST \$2,750	
LINE	S	Smart	-				-	
STYLE	1	Diffrient Smart Task Chair - Living Product Challenge Approved*	-		-		N/A	
* See Textiles section for LPC approved textile options	2	Diffrient Smart Plus Task Chair	N/A		N/A		-	
	4	Diffrient Smart Task Chair	-		N/A		N/A	
	MECHANISM	1	Task Chair	-			-	
ARMRESTS	0	Armless	-		-		-	
	1	Fixed Duron Arms	\$186		\$186		N/A	
	2	Fixed Duron Arms with Matching Textile	\$218		\$218		N/A	
	3	Adjustable Duron Arms	\$307		\$307		N/A	
	4	Adjustable Duron Arms with Matching Textile	\$342		\$342		N/A	
	5	4D Adjustable Duron Arms	\$361		\$361		\$361	
	6	4D Adjustable Duron Arms with Matching Textile	\$397		\$397		\$397	
FRAME COLOR	B	Black Frame with Black Trim	-		-		-	
	D	Dark Gray Frame with Polished Aluminum Trim	\$156		N/A		\$156	
	C	Black Frame with Polished Aluminum Trim	\$156		\$156		\$156	
BACKREST MESH STYLE		See pages 67-72 for color options and codes						
BACKREST MESH COLOR		See pages 67-72 for color options and codes						
SEAT TEXTILE		Textile Grade 1 (FT, K, CF)	\$28		\$28		\$45	
		Textile Grade 2 (F, RF, RM)	\$91		\$91		\$120	
		Textile Grade 3 (HL, SQ, ST)	\$318		\$318		\$347	
		Textile Grade 4 (AR, CD, EL, VN)	\$648		\$648		\$677	
		Leather Grade 1 (TL)	\$753		\$753		\$1,003	
		Leather Grade 3 (CL)	\$1,461		\$1,461		\$1,886	
SEAT TEXTILE COLOR		See pages 67-72 for color options and codes						
LEATHER STITCHING		If leather is selected, see page 71 for stitch options						
X is the identifier used when fabric selected	X	No leather selected	-				-	
SEAT PAN	F	Standard Seat Pan	-				-	
CYLINDER	S	Standard 5"	-		-		-	
	A	3" Return to Height Cylinder	\$68		\$68		\$68	
	E	5" Return to Height Cylinder	\$68		\$68		\$68	
	L	Low 3.75"	\$41		\$41		\$41	
	T	Tall 5"	\$59		\$59		\$59	
	W	High 8" cylinder w/ 20" foot ring	\$242		\$242		N/A	
CASTERS/ GLIDES	H	Standard Casters for Carpeted Floors	-				-	
	S	Soft Casters	-				-	
FIREPROOFING	N	Standard Foams and Plastics	-		-		-	
	C	CAL 133 Approved Foams and Plastics	\$77		\$74		\$98	
BASE	S	Standard Base	-		-		-	
	A	Polished Aluminum Base	\$226		\$226		\$226	
SHIPPING	C	Individually Boxed	-		-		-	
	B	Blanket Wrapped - See Terms and Conditions for minimum order requirements	-		-		-	



DIFFRIENT SMART Options & Prices

REPLACEMENT PARTS	Code	CAL133 Available	Price	Textile 1	Textile 2	Textile 3	Textile 4	Leather 1	Leather 3
Foam Seat Cushion (Diffrient Smart)	SSF12226	C	N/A	\$196	\$232	\$304	\$417	\$813	\$1,229
Foam Seat Cushion (Diffrient Smart Plus)	S2SF12226	C	N/A	\$269	\$307	\$379	\$492	\$1,012	\$1,467
Mesh Backrest (Diffrient Smart & Smart Plus)	SB3422		\$225	N/A	N/A	N/A	N/A	N/A	N/A
Mesh Backrest (Smart Ocean)	S1BB422		\$257	N/A	N/A	N/A	N/A	N/A	N/A
Duron Arm Pads (Pair) (Diffrient Smart & Smart Plus)	SDA5		\$89	N/A	N/A	N/A	N/A	N/A	N/A
Duron Arm Pads w/Matching Textile (Pair) (Diffrient Smart & Smart Plus)	SDAM1222	C	N/A	\$102	\$129	\$142	\$159	\$169	\$253

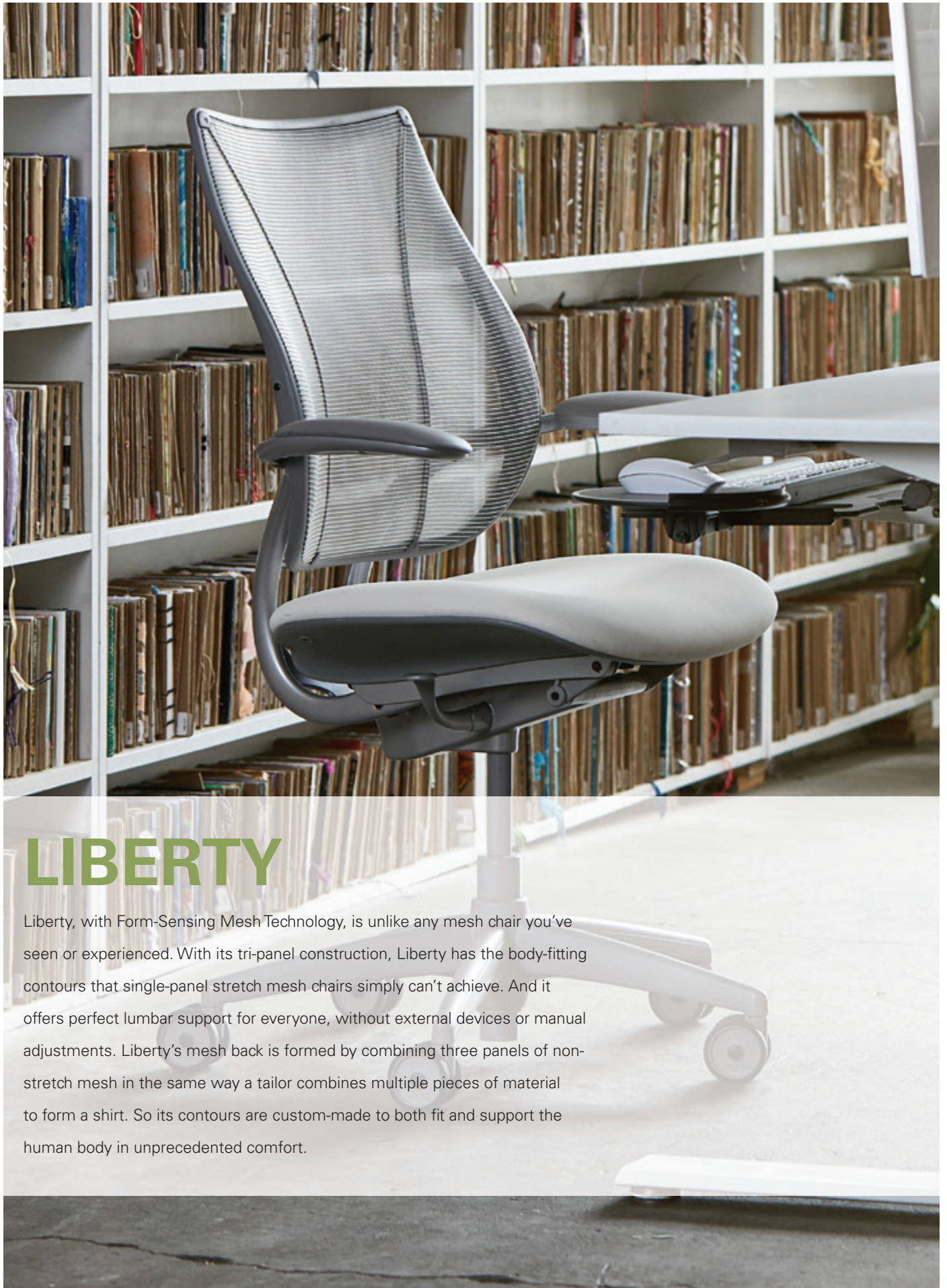
RETROFIT KITS	Code	CAL133 Available	Price	Textile 1	Textile 2	Textile 3	Textile 4	Leather 1	Leather 3
Fixed Duron Arms	SKF35		\$293	N/A	N/A	N/A	N/A	N/A	N/A
Fixed Duron Arms w/Matching Textile	SKFM31222	C	N/A	\$307	\$351	N/A	N/A	\$377	\$458
Height Adustable Duron Arms	SKH35		\$520	N/A	N/A	N/A	N/A	N/A	N/A
Height Adustable Duron Arms w/Matching Textile	SKHM31222	C	N/A	\$532	\$560	N/A	N/A	\$600	\$683
4D Adjustable Duron Arms	SKD35		\$560	N/A	N/A	N/A	N/A	N/A	N/A
4D Adjustable Duron Arms w/ Matching Textile	SKDM31222	C	N/A	\$573	\$600	N/A	N/A	\$644	\$723

Any code containing a number refers to the component or textile that must be selected to order the replacement or retrofit part.

1 – Textile Code (pages 41-42) **2** – Cushion Color (pages 41-42) **3** – Frame Color (B, D, A)

4 – Mesh (M, C, A, N, J) **5** – Arm Pad Color (B, G) **6** – Leather Stitch Color (page 42)





LIBERTY

Liberty, with Form-Sensing Mesh Technology, is unlike any mesh chair you've seen or experienced. With its tri-panel construction, Liberty has the body-fitting contours that single-panel stretch mesh chairs simply can't achieve. And it offers perfect lumbar support for everyone, without external devices or manual adjustments. Liberty's mesh back is formed by combining three panels of non-stretch mesh in the same way a tailor combines multiple pieces of material to form a shirt. So its contours are custom-made to both fit and support the human body in unprecedented comfort.

LIBERTY Features & Characteristics



BODY FIT

Size adjustable to fit more than 95% of the population

CUSHION PAN, BACK FRAME, FIVE-ARM BASE

Injection-molded, structural, integral color plastics.
Optional stainless steel caps on base

EXTERNAL FRAME

Die-cast aluminum with fused plastic coating or polished aluminum finish

FIREPROOFING

CAL 133-approved: optional fireproof barrier between textile and foam

SELF-ADJUSTING RECLINE

- Intelligent counter-balance recline mechanism automatically provides the right amount of support through the full range of recline motion, regardless of user size and weight
- No tension springs to adjust
- No recline locks to set/release
- During recline, the angle between torso and legs opens up for better body function
- User maintains near-constant eye level during recline

PIVOTING BACKREST

- Extra motion of the backrest during recline automatically adjusts to the changing needs of the spine
- Provides additional lumbar support as needed

ARMREST OPTIONS

- Armless
- Fixed armrests
- Height-adjustable armrests with 5" range of adjustment
- Armpad Options: Standard Flexible Duron or Duron with Gel for optimal comfort

FORM-SENSING MESH

- Tri-panel, non-stretch mesh construction creates body-fitting contours and self-adjusting lumbar support for a customized fit
- No external lumbar devices to adjust, break or lose
- Low-abrasion mesh protects clothing
- Modular for easy replacement

CONTOURED CUSHIONS

- Carefully sculpted to match body contours
- Increased contact area reduces pressure points
- Modular for easy replacement
- Glueless cushions mean less usage of materials for a more environmentally friendly solution

CYLINDER

- Standard cylinder provides seat height range that accommodates 95% of the population
- Optional low cylinder for small users
- Optional tall cylinder for very tall users
- Optional high cylinder with foot ring

OPTIONAL FOOT RING

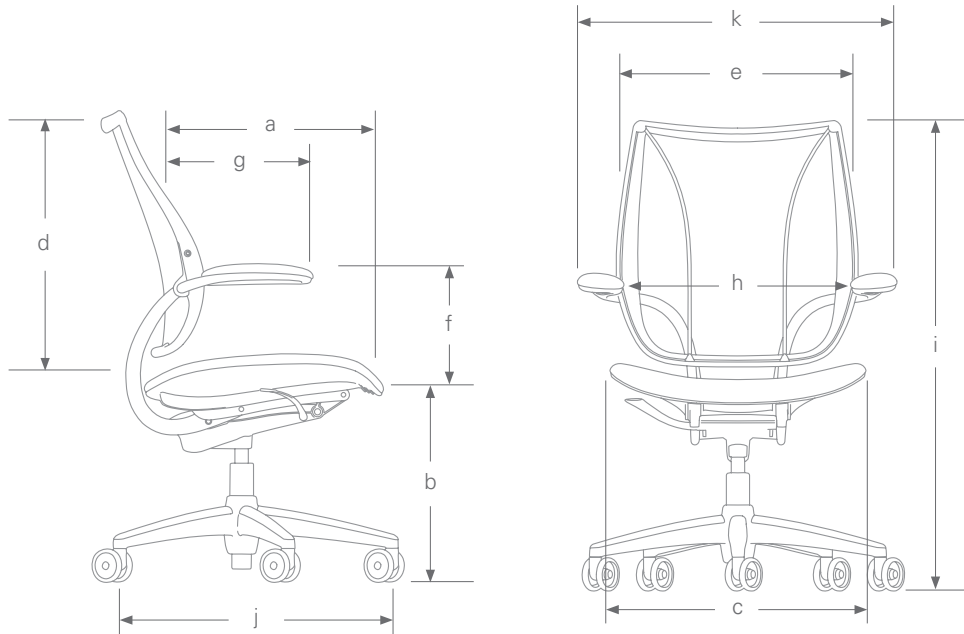
- Polished finish
- Height-adjustable

CASTER OPTIONS

- Standard 3" casters for carpeted floors
- Optional soft casters for hard floors
- Optional non-rolling glides for fixed location use



LIBERTY Specifications



CODE	DESCRIPTION	MEASUREMENT
a	seat depth <i>(from face of lumbar to front of seat)</i>	16.5" – 18.75"
b	seat height <i>(from floor to compressed front center of seat cushion)</i>	16.6" - 20.9" standard cylinder chair 15.4" - 18.4" low-cylinder chair 17.25" - 22.6" tall-cylinder chair 21.1" - 28.6" high-cylinder chair 24.0" - 34.0" extra high-cylinder chair 16.875" - 19.5" 3" return to height cylinder chair 17.125" - 21.875" 5" return to height cylinder chair
c	seat width	21.25"
d	backrest height <i>(from seat cushion to top of backrest)</i>	23"
e	backrest width	20"
f	armrest height <i>(from compressed seat cushion to top of armrest)</i>	10" fixed 6.25"-9.75" adjustable
g	armrest length <i>(from face of lumbar to front of armrest)</i>	8.6"
h	distance between armrests	19"
i	height	39.25" - 43.625" standard cylinder chair 37.875" - 40.875" low-cylinder chair 40.5" - 45.5" tall-cylinder chair 43.5" - 51.0" high-cylinder chair 47.0" - 57.0" extra high-cylinder chair 39.875" - 42.5" 3" return to height cylinder chair 40.125" - 44.875" 5" return to height cylinder chair
j	base diameter	25"
k	chair width	26.5" with arms 21" without arms

SCOPE OF USERS

- Conference/Task chair fits more than 95% of the office population
– 5'0" Woman to 6'4" Man
– 100 to 400 lbs.
- Users outside the standard range can be accommodated by Low or Tall Cylinder

WEIGHT

- 34 lbs. *with arms*
- 30 lbs. *without arms*

TILT AND RECLINE

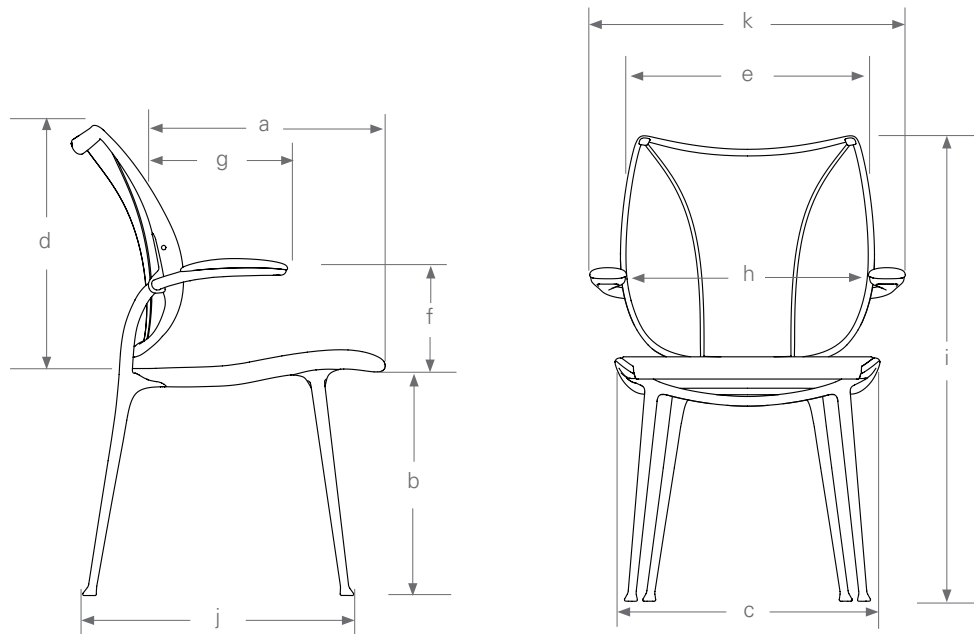
- 17° recline plus 7° backrest tilt
Conference/Task chair

REFERENCE ANGLE BETWEEN SEAT AND BACK

- 100° to 124° *Conference/Task chair*



LIBERTY Specifications



CODE	DESCRIPTION	MEASUREMENT
a	seat depth <i>(from face of lumbar to front of seat)</i>	18.5"
b	seat height <i>(from floor to compressed front center of seat cushion)</i>	18.4"
c	seat width	20.75"
d	backrest height <i>(from seat cushion to top of backrest)</i>	20.75"
e	backrest width	20.25"
f	armrest height <i>(from compressed seat cushion to top of armrest)</i>	9.1"
g	armrest length <i>(from face of lumbar to front of armrest)</i>	12"
h	distance between armrests	19.15" 18-20" advanced
i	height	36.75"
j	base diameter	N/A
k	chair width	25"

SCOPE OF USERS
<ul style="list-style-type: none"> Side chair fits more than 95% of the office population <ul style="list-style-type: none"> – 5'0" Woman to 6'4" Man – 100 to 300 lbs.
WEIGHT
<ul style="list-style-type: none"> 18 lbs. <i>with arms</i> 17 lbs. <i>without arms</i>



LIBERTY Build Your Product Code

COMPONENT	CODE	BASE MODEL PRICE	TASK		OCEAN		SIDE	
			LIST \$1,489		LIST \$1,563		LIST \$785	
STYLE	L11	Task Chair	-		N/A		N/A	
	L21	Liberty Ocean Task Chair	N/A		-		N/A	
	L40	Side Chair	N/A		N/A		-	
ARMRESTS	0	Armless	-		-		-	
	6	Fixed Duron Arms	\$161		\$161		\$128	
	7	Fixed Duron Arms with Matching Textile	\$196		\$196		\$165	
	X	Fixed Duron Gel Arms	\$207		\$207		\$173	
	M	Fixed Duron Gel Arms with Matching Textile	\$245		\$245		\$212	
	3	Adjustable Duron Arms	\$274		\$274		N/A	
	4	Adjustable Duron Arms with Matching Textile	\$313		\$313		N/A	
	E	Advanced Duron Arm	\$403		\$403		N/A	
	F	Advanced Duron Arm with Matching Textile	\$441		\$441		N/A	
FRAME COLOR	B	Black with Black Trim	-		-		-	
	V	Silver with Silver Trim	-		N/A		-	
	L	Silver with Black Trim	-		-		-	
	A	Polished Aluminum with Black Trim	\$206		\$206		\$135	
	P	Polished Aluminum with Silver Trim	\$206		N/A		\$135	
BACKREST MESH STYLE		See pages 67-72 for color options and codes						
BACKREST MESH COLOR		See pages 67-72 for color options and codes						
SEAT MESH/ TEXTILE STYLE		Mesh (M,C,N,J,A)	N/A		N/A		-	
		Textile Grade 1 (FT, K, CF)	\$34		\$34		\$98	
		Textile Grade 2 (F, RF, RM)	\$75		\$75		\$129	
		Textile Grade 3 (HL, SQ, ST)	\$302		\$302		N/A	
		Textile Grade 4 (AR, CD, EL, VN)	\$592		\$592		N/A	
		Leather Grade 1 (TL)	\$635		\$635		N/A	
		Leather Grade 3 (CL)	\$1,282		\$1,282		N/A	
SEAT MESH/ TEXTILE COLOR		See pages 67-72 for color options and codes						
LEATHER STITCHING <i>X is the identifier used when fabric selected</i>		If leather is selected, see page 71 for stitch options						
	X	No leather selected	-		-		N/A	
GEL SEAT	F	Standard Seat Pan	-		-		-	
	G	Gel Seat - <i>Not compatible with Lotus or with leather textiles</i>	\$120		\$120		N/A	
CYLINDER	S	Standard 5"	-		-		N/A	
	A	3" Return to Height Cylinder	\$69		\$69		N/A	
	E	5" Return to Height Cylinder	\$69		\$69		N/A	
	L	Low 3.75"	\$42		\$42		N/A	
	T	Tall 5"	\$61		\$61		N/A	
	W	High 8" w/ 20" Foot Ring	\$204		\$204		N/A	
	Y	10" Extra High w/ 20" Foot Ring	\$204		\$204		N/A	
CASTERS/GLIDES	H	Standard 3" Casters for carpeted floors	-		-		N/A	
	S	Soft Casters	-		-		N/A	
	G	Glides	\$30		\$30		N/A	
FIREPROOFING	N	Standard Foams and Plastics	-		-		-	
	C	CAL 133-Approved Foams and Plastics <i>(Included in all side chairs)</i>	\$68		\$68		-	
BASE	S	Standard Base	-		-		N/A	
	A	Polished Aluminum Base	\$226		\$226		N/A	
SHIPPING	C	Individually Boxed	-		-		-	
	B	Blanket Wrapped - <i>See Terms and Conditions for minimum order requirements</i>	-		-		-	



LIBERTY Options & Prices

REPLACEMENT PARTS	Code	CAL133 Available	Price	Textile 1	Textile 2	Textile 3	Textile 4	Leather 1	Leather 3
-------------------	------	------------------	-------	-----------	-----------	-----------	-----------	-----------	-----------

Liberty Conference/Task									
Seat (Foam)	LSF12226	C	N/A	\$202	\$245	\$317	\$430	\$882	\$1,339
Seat (Gel)	LSG1222	C	N/A	\$322	\$364	\$436	\$549	N/A	N/A
Mesh Backrest	LB3422		\$284	N/A	N/A	N/A	N/A	N/A	N/A
Fixed Duron Arm Pads (Pair)	LDA5		\$75	N/A	N/A	N/A	N/A	N/A	N/A
Fixed Duron Arms with Matching Textile	LDAM1222		N/A	\$105	\$138	\$158	\$172	\$188	\$301
Height-Adjustable Duron Arm Pads (Pair)	LDV5		\$75	N/A	N/A	N/A	N/A	N/A	N/A
Height-Adjustable Duron Arm Pads with Matching Textile (Pair)	LDVM1222		N/A	\$105	\$138	\$158	\$172	\$188	\$301
Height-Adjustable Duron Arm Pads 4.0 (Pair)	LDVH5		\$75	N/A	N/A	N/A	N/A	N/A	N/A
Height-Adjustable Duron Arm Pads with Matching Textile 4.0 (Pair)	LDVHM1222		N/A	\$105	\$138	\$158	\$172	\$188	\$301
Advanced Duron Arm Pads (Pair)	LAVH5		\$75	N/A	N/A	N/A	N/A	N/A	N/A
Advanced Duron Arm Pads with Matching Textile (Pair)	LAVHM1222		N/A	\$105	\$138	\$158	\$172	\$188	\$301

Liberty Side									
Mesh Backrest	LSCB3422		\$281	N/A	N/A	N/A	N/A	N/A	N/A
Mesh Seat Cushion	LSCS3422		\$281	N/A	N/A	N/A	N/A	N/A	N/A
Textile-covered Seat Cushion	LSCSM31222			\$314	\$345	N/A	N/A	N/A	N/A
Duron Arm Pads (Pair)	LSDA5		\$74	N/A	N/A	N/A	N/A	N/A	N/A
Duron Gel Arm Pads (Pair)	LSGA		\$123	N/A	N/A	N/A	N/A	N/A	N/A
Duron Arm Pads with Matching Textile Cover (Pair)	LSDAM1222		N/A	\$104	\$136	N/A	N/A	\$186	\$298
Gel Arm Pads with Matching Textile Cover (Pair)	LSGAM1222			\$153	\$185	N/A	N/A	\$234	\$345

Any code containing a number refers to the component or textile that must be selected to order the replacement or retrofit part.

- 1** – Textile Code (see Textiles section) **2** – Cushion Color (see Textiles section) **3** – Frame Color (B, V, A) **4** – Mesh (M, C, A, N, J)
5 – Arm Pad Color (B, V) **6** – Leather Stitch Color (see Textiles section)



LIBERTY Options & Prices

RETROFIT PARTS	Code	CAL133 Available	Price	Textile 1	Textile 2	Leather 1	Leather 3
----------------	------	------------------	-------	-----------	-----------	-----------	-----------

Liberty Task Retrofit Kits							
Fixed Duron Arms (Pair)	LKFD35		\$188	N/A	N/A	N/A	N/A
Height-Adjustable Duron Arms (Pair)	LKD35		\$259	N/A	N/A	N/A	N/A
Fixed Duron Arms with Matching Textile (Pair)	LKFDM31222	C		\$219	\$251	\$301	\$413
Height-Adjustable Duron Arms with Matching Textile (Pair)	LKDM31222	C		\$292	\$322	\$373	\$486

Liberty Side Retrofit Kits							
Fixed Duron Arms (Pair)	LSKFD35		\$168	N/A	N/A	N/A	N/A
Fixed Duron Arms with Matching Textile Cover (Pair)	LSKFDM31222			\$200	\$234	\$281	\$394

Any code containing a number refers to the component or textile that must be selected to order the replacement or retrofit part.

1 – Textile Code (pages 42-43) **2** – Cushion Color (pages 42-44) **3** – Frame Color (B, V, A) **4** – Mesh (M, C, A, N, J)

5 – Arm Pad Color (B, V) **6** – Leather Stitch Color (page 42)

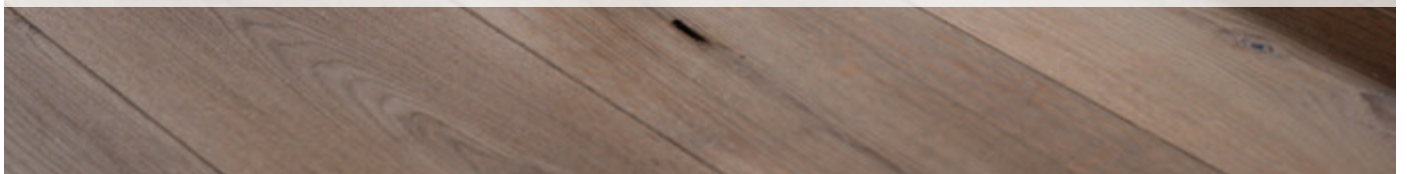




PATH

Path builds on Humanscale's 25 years of innovative engineering, developing products that are simple to use, encourage movement and healthy postures, and function and look as new after years of use.

Designed in collaboration with Todd Bracher Studio, our design goal was to create a task chair that is simple, beautiful and challenges our industry standard of complex mechanisms that require manual adjustment.



PATH Features & Characteristics



BODY FIT

- Size adjustable to fit more than 95% of the population

CUSHION PAN, BACK FRAME, FIVE-ARM BASE

- Injection-molded, structural, integral color plastics

EXTERNAL FRAME

- Die-cast aluminum with powder coating

SELF-ADJUSTING RECLINE

- Gravity Mechanism™ provides automatic support by using the sitter weight to counter recline force, resulting in a custom sitting experience for each user regardless of their size and weight
- No tension springs to adjust
- No recline locks to set/release
- During recline, the angle between torso and legs opens up for better body function
- User maintains near-constant eye level during recline

FORMSENSE ECO KNIT™

- FormSense Eco Knit™ instantly conforms to the shape of sitter's back, providing self-adjusting lumbar support that is tailored fit to any user
- No external lumbar devices to adjust, break or lose
- Modular for easy replacement

ARMREST OPTIONS

- Armless
- Fixed armrests
- Height-adjustable armrests

CONTOURED CUSHIONS

- Carefully sculpted to match body contours
- Increased contact area reduces pressure points
- Modular for easy replacement
- Glueless cushions mean less usage of materials for a more environmentally friendly solution

CYLINDER

- Standard cylinder provides seat height range that accommodates 95% of the population
- Optional low cylinder for small users

BASE

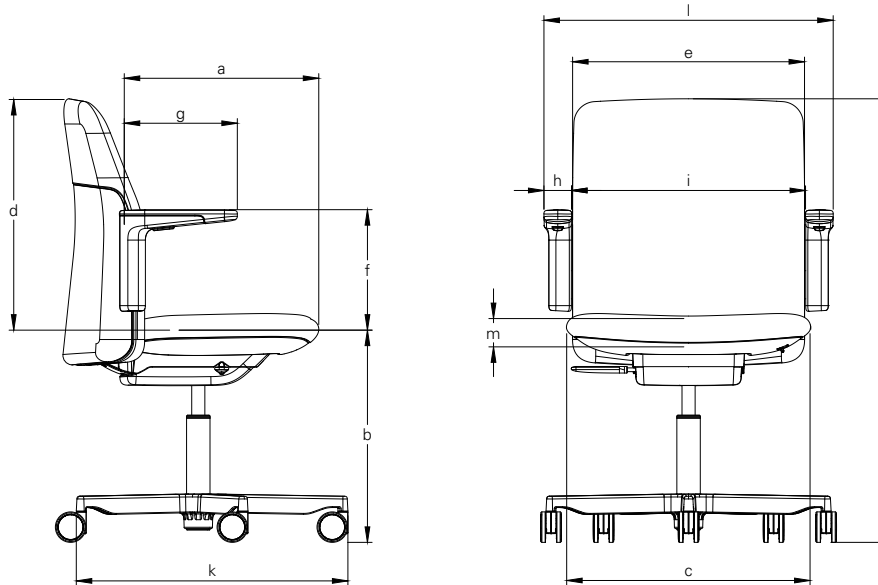
- Standard base to match frame
- Polished Aluminum Base on Black or Light Gray Frame

CASTER OPTIONS

- Standard casters for carpeted floors
- Optional soft casters for hard floors



PATH Specifications



CODE	DESCRIPTION	MEASUREMENT
a	Seat Depth (from Lumbar of front of seat)	16.30" - 18.70"
b	Seat Height (from floor to compressed front center of seat cushion)"	Std Cylinder: 15.55" - 20.87" Low Cylinder: 14.45" - 19.33"
c	Seat Width	20.47"
d	Backrest Height (from top of compressed seat cushion to top of backrest)	20.67"
e	Backrest Width	19.09"
f	Armrest Height (from compressed seat cushion to top of armrest)	Fixed: 9.21" Adjustable: 6.69" - 9.87"
g	Armrest Length (from face of lumbar to front of armrest)	9.25"
h	Armrest Width	Fixed: 2.05 Adjustable: 2.32
i	Distance Between Armrests	19.88"
j	Height	Std Cylinder: 34.65" - 39.76" Low Cylinder: 33.54" - 38.23"
k	Base Diameter	25"
l	Chair Width (not including base)	Armless: 19.09 Fixed: 23.82 Adjustable: 24.41
m	Cushion Thickness	2"

SCOPE OF USERS
<ul style="list-style-type: none"> Conference/Task chair fits 95% of the office population <ul style="list-style-type: none"> 5'0" (152cm) Woman to 6'4" (193cm) Man 100 to 300 lbs. (45.4kg - 181kg) Users outside the standard height range can be accommodated with a Low Cylinder
WEIGHT
<ul style="list-style-type: none"> 41 lbs. with Arms 34.5 lbs. Armless
TILT AND RECLINE
<ul style="list-style-type: none"> 0 tilt / 16° recline
REFERENCE ANGLE BETWEEN SEAT AND BACK
<ul style="list-style-type: none"> 104°



PATH Build Your Product Code

COMPONENT	CODE	DESCRIPTION	LIST	
STYLE	PT1	Path Chair	\$1,485	
ARMREST	0	Armless	-	
	1	Fixed Arms	\$151	
	6	Adjustable Duron Arms	\$281	
FRAME	B	Black with Black Trim	-	
	V	Light Gray with Dark Gray Trim	\$79	
	A	Polished Aluminum with Black	\$166	
	P	Polished Aluminum with Light Gray	\$238	
TEXTILE		FormSense Eco Knit	-	
		Textile Grade 1 (FT,K,CF)	\$93	
		Textile Grade 2 (F, RF, RM)	\$367	
		Textile Grade 3 (HL, SQ, ST)	\$583	
		Textile Grade 4 (AR, CD, EL, VN)	\$896	
		Leather Grade 1 (TL)	\$613	
	Leather Grade 3 (CL)	\$815		
LEATHER STITCH <i>X is the identifier used when fabric selected</i>	X	Only if leather is selected, see page 71 for stitch options	-	
CYLINDER	S	Standard 5"	-	
	L	Low 3.75"	\$56	
	E	Path Stool - 5" Return to Height	\$69	
	W	Path Stool - High 8" with 20" Footring	\$204	
CASTER	H	Standard Hard Casters	-	
	S	Soft Casters	-	
	O	Soft Braking Caster	\$71	
FIREPROOFING	N	Standard Foams and Plastics	-	
BASE	S	Standard Base to match frame color	-	
	A	Polished Aluminum Base	\$209	
SHIPPING	C	Individually Boxed (Knock Down)	-	
	B	Blanket Wrapped	-	



PATH Options & Prices

REPLACEMENT PARTS	Code	Price
-------------------	------	-------

Chair Parts		
Seat	PS12224	–
FormSense Eco Knit		\$192
Textile Grade 1		\$225
Textile Grade 2		\$271
Textile Grade 3		\$344
Textile Grade 4		\$456
Leather Grade 1		\$495
Leather Grade 3		\$522
Back	PB12224	–
FormSense Eco Knit		\$218
Textile Grade 1		\$254
Textile Grade 2		\$300
Textile Grade 3		\$373
Textile Grade 4		\$483
Leather Grade 1		\$524
Leather Grade 3		\$551
Back Shell	PBS3	\$278
Back Shell (Armless)	PBSL3	\$278

Armrests		
Fixed Arms (Pair)	PTF3	\$72
Height-Adjustable Arms (Pair)	PTA3	\$100

RETROFIT PARTS	Code	Price
Fixed Arms (Pair)	PTFD3	\$205
Height-Adjustable Arms (Pair)	PTAD3	\$246

Any code containing a number refers to the component or textile that must be selected to order the replacement or retrofit part.

- 1** – Textile Code
- 2** – Cushion Color
- 3** – Frame/Cushion Shell Color (B, V, A, P)
- 4** – Leather Stitch Color (see Textiles section)



DIFFRIENT WORLD

Diffrient World marks Humanscale's first foray into all-mesh task seating. Like its mesh-backed forerunner, Liberty, Diffrient World's tri-panel backrest hugs the body to provide tailor-made lumbar support, while its mesh seat eliminates contact stress under the thighs. But Diffrient World's major innovation is its mechanism-free recline action, which leverages two parts of the chair's frame, the user's body weight, and the laws of physics to provide automatic and balanced support throughout the full range of recline. No chair is more intuitive, creating the ultimate user-friendly sitting experience.



DIFFRIENT WORLD Features & Characteristics



BODY FIT

Size adjustable to fit more than 95% of the population

CUSHION PAN, BACK FRAME, FIVE-ARM BASE

Non-stretch, tri-panel mesh back. Non-stretch mesh seat. Optional upholstered polyurethane foam seat cushion

EXTERNAL FRAME

Injection-molded, structural, integral color glass-filled Nylon 6

FIREPROOFING

CAL 133-approved option available

SELF-ADJUSTING RECLINE

- Intelligent counter-balance recline mechanism automatically provides the right amount of support through the full range of recline motion, regardless of user size and weight
- No tension springs to adjust
- No recline locks to set/release
- During recline, the angle between torso and legs opens up for better body function
- User maintains near-constant eye level during recline

PIVOTING BACKREST

- Extra motion of the backrest during recline automatically adjusts to the changing needs of the spine
- Provides additional lumbar support as needed

ARMREST OPTIONS

- Armless, Fixed armrests or Height-adjustable armrests with 3.2" range of adjustment

ARM PAD OPTIONS

- Flexible Duron or Matching textile-covered arm pad

FORM-SENSING MESH

- Tri-panel, non-stretch mesh construction creates body-fitting contours and self-adjusting lumbar support for a customized fit
- No external lumbar devices to adjust, break or lose
- Low-abrasion mesh protects clothing
- Modular for easy replacement

NON-STRETCH MESH SEAT

- Automatically sculpts to match body contours
- Cradles the body in flexible, breathable mesh
- Frameless front edge eliminates contact stress under the thighs

CYLINDER

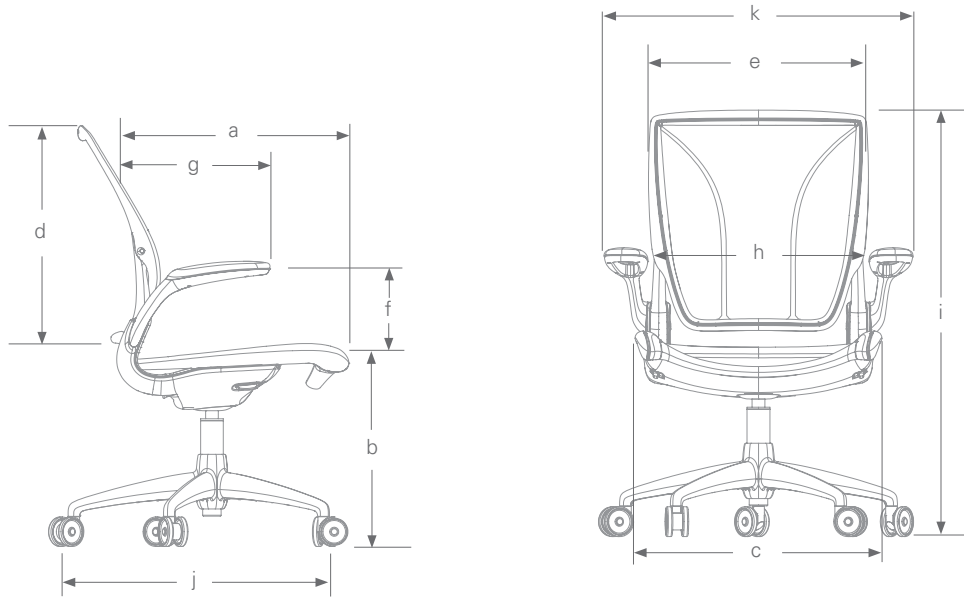
- Standard cylinder provides seat height range that accommodates 95% of users
- Optional low cylinder for small users
- Optional tall cylinder for very tall users
- Optional high cylinder with foot ring

CASTER OPTIONS

- Standard 3" (76mm) hard casters
- Optional non-rolling glides for fixed location use
- Optional soft casters for hard floors



DIFFRIENT WORLD Specifications



CODE	DESCRIPTION	MEASUREMENT
a	seat depth <i>(from face of lumbar to front of seat)</i>	15.70" - 18.25"
b	seat height <i>(from floor to compressed front center of seat cushion)</i>	15.63" - 20.75" standard chair 12.75" - 15.75" low chair 18.13" - 25.63" 8" high cylinder with 20" foot ring 20.75" - 30.75" 10" extra-high cylinder with 20" foot ring 14.75" - 17.38" 3" return to height cylinder 15.0" - 19.75" 5" return to height cylinder
c	seat width	20.20"
d	backrest height <i>(from seat cushion to top of backrest)</i>	22.5"
e	backrest width	16"
f	armrest height <i>(from compressed seat cushion to top of armrest)</i>	9.50" fixed 7.20" - 10.75" adjustable 7.50" - 10.375" adjustable (4D Arms)
g	armrest length <i>(from face of lumbar to front of armrest)</i>	8.40"
h	distance between armrests	18.75" 17.25" - 19.5" (4D Arms)
i	height	35.625" - 40.75" standard chair 32.75" - 35.75" low chair 38.125" - 45.625" 8" high cylinder with 18" foot ring 40.75" - 50.75" 10" extra-high cylinder with 21" foot ring 34.75" - 37.375" 3" return to height cylinder 35.0" - 39.75" 5" return to height cylinder
j	base diameter	25" (635mm)
k	chair width	25.75" (with arms) 21" (without arms)

SCOPE OF USERS
<ul style="list-style-type: none"> Conference/Task chair fits 95% of the office population <ul style="list-style-type: none"> 5'0" (152cm) Woman to 6'4" (193cm) Man 100 to 400 lbs. (45.4kg - 181kg) Users outside the standard height range can be accommodated by Low or Tall Cylinder
WEIGHT
<ul style="list-style-type: none"> 28 lbs. Conference/Task chair 24 lbs. Armless chair
TILT AND RECLINE
<ul style="list-style-type: none"> 17° recline plus 8° backrest tilt
REFERENCE ANGLE BETWEEN SEAT AND BACK
<ul style="list-style-type: none"> 97.7° to 114.3°

DIFFRIENT WORLD Build Your Product Code

COMPONENT	CODE	BASE MODEL PRICE	LIST \$1,281	
LINE	W	Diffrient World Chair	-	
STYLE	1	Conference/Task Chair	-	
ARMRESTS	0	Armless	-	
	6	Fixed Duron Arms	\$129	
	7	Fixed Duron Arms with Matching Textile - <i>Available with textile covered seat only</i>	\$169	
	1	Height Adjustable Duron Arms	\$275	
	2	Height Adjustable Duron Arms with Matching Textile - <i>Available with textile covered seat only</i>	\$317	
	3	Height Adjustable 4D Duron Arms	\$329	
	4	Height Adjustable 4D Duron Arms with Matching Textile - <i>Available with textile covered seat only</i>	\$365	
FRAME COLOR	B	Black	-	
	W	White	\$33	
	V	Gray	-	
BACKREST MESH STYLE		See pages 67-72 for color options and codes		
BACKREST MESH COLOR		See pages 67-72 for color options and codes		
SEAT MESH/ TEXTILE STYLE		Mesh (A,N,J)	-	
		Textile Grade 1 (FT,K,CF)	\$116	
		Textile Grade 2 (F)	\$182	
SEAT MESH/ TEXTILE COLOR		See pages 67-72 for color options and codes		
CYLINDER	S	Standard 5"	-	
	A	3" Return to Height Cylinder	\$69	
	E	5" Return to Height Cylinder	\$69	
	L	Low 3.75"	\$42	
	W	High 8" Cylinder w/ 20" Foot Ring <i>requires soft casters and glides</i>	\$204	
	Y	Extra-high 10" Cylinder w/ 20" Foot Ring <i>requires soft casters and glides</i>	\$204	
CASTERS/GLIDES	H	Standard Hard Casters	-	
	S	Soft Casters	\$27	
	G	Glides	\$35	
FIREPROOFING	N	Standard Plastics and Foams	-	
	C	CAL133 Label Applied to Underside of Chair	-	
BASE	S	Standard	-	
	A	Polished Aluminum Base	\$226	
SHIPPING	C	Individually Boxed	-	
	B	Blanket Wrapped - <i>See Terms and Conditions for minimum order requirements</i>	-	



DIFFRIENT WORLD Options & Prices

REPLACEMENT PARTS	Code	CAL133 Available	Price	Textile 1	Textile 2
-------------------	------	------------------	-------	-----------	-----------

Seat Cushions					
Mesh Backrest	DWCB3422	C	\$239	N/A	N/A
Mesh Seat Cushion	DWCS3422	C	\$239	N/A	N/A
Textile-Covered Seat Cushion	DWCSM31222	C	N/A	\$342	\$378

Armrest Cushions					
Fixed Duron Arm Pads (Pair)	DWFD35	C	\$77		
Fixed Duron Arm Pads with Matching Textile Cover (Pair)*	DWFDM1222	C		\$111	\$148
Height Adjustable Duron Arm Pads (Pair)	DWAD35	C	\$77		
Height Adjustable Duron Arm Pads with Matching Textile Cover (Pair)*	DWADM1222	C		\$111	\$148

RETROFIT PARTS	Code	CAL133 Available	Price	Textile 1	Textile 2
Fixed Duron Arms (Pair)	DWKFD35	C	\$154		
Fixed Duron Arms with Matching Textile Cover (Pair)*	DWKFDM31222	C		\$188	\$222
Height-Adjustable Duron Arms (Pair)	DWKAD35	C	\$308		
Height-Adjustable Duron Arms with Matching Textile Cover (Pair)*	DWKADM31222	C		\$342	\$378
Height-Adjustable 4D Arms (Pair)	DWKDD35	C	\$363		
Height-Adjustable 4D Arms with Matching Textile Cover (Pair)*	DWKDDM31222	C		\$396	\$432

Any code containing a number refers to the component or textile that must be selected to order the replacement or retrofit part.

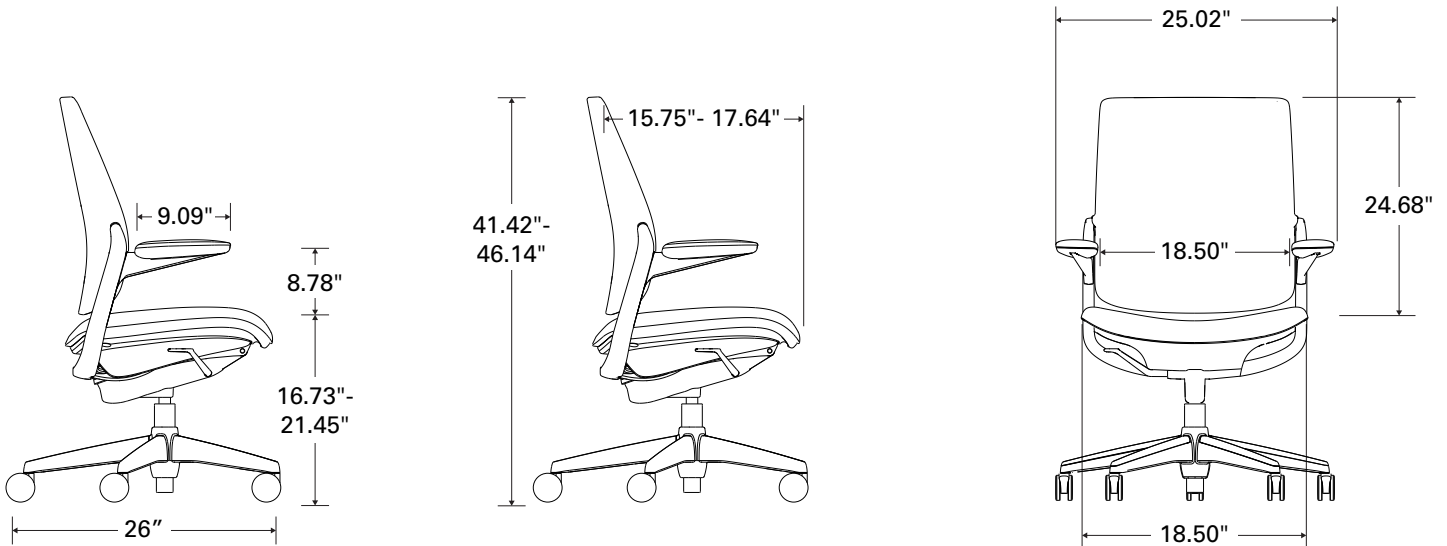
1 – Textile Code (pages 42-43) **2** – Cushion Color (pages 42-43) **3** – Frame Color (B, W, V)
4 – Mesh (M, C, A, N, J) **5** – Arm Pad Color (S, B)



SMART CONFERENCE

Adapted from iconic industrial designer Niels Diffrient's original Smart chair, Smart Conference takes intuitive comfort to a new level of luxury suitable for any meeting space. Smart Conference shares the same intuitive, ergonomic, and sustainable design as our award-winning Smart chair. It adjusts instantly to the user's body, providing a perfectly tailored sitting experience for all. No matter their shape or size, each sitter enjoys the same comfort, support, and movement in a chair that feels made just for them.

SMART CONFERENCE Specifications



SPECIFICATIONS	INCHES	MILLIMETERS
Seat Depth	5.75"-17.64"	400mm- 448mm
Seat Height	16.73" - 21.45" (standard cylinder) 17.4"- 20.12" (3" RTH cylinder) 17.64" - 22.56" (5" RTH cylinder)	425mm - 545mm (standard cylinder) 442mm- 511mm (3" RTH cylinder) 448mm-573mm (5" RTH cylinder)
Seat Width	18.5"	470mm
Backrest Height	24.68"	627mm
Backrest Width	18.9"	480mm
Armrest Height	8.78"	223mm
Armrest Length	9.09"	231mm
Distance Between Armrests	18.5"	470mm
Height	41.42"-46.14" (standard cylinder) 42.09"- 44.8" (3" RTH cylinder) 42.32" - 47.24" (5" RTH cylinder)	1052mm -1172mm (standard cylinder) 1069mm- 1138mm (3" RTH cylinder) 1075mm- 1200mm (5" RTH cylinder)
Base Diameter	26"	660mm
Chair Width	25.02"	636mm
Chair Depth	26"	660mm

SCOPE OF USERS
<ul style="list-style-type: none"> Multi-purpose chair fits 95% of the office population <ul style="list-style-type: none"> 5'0" (152cm) to 6'4" (193cm) Person 100 to 400 lbs. (45.4kg - 181kg)
WEIGHT
<ul style="list-style-type: none"> 41 lbs.
TILT AND RECLINE
<ul style="list-style-type: none"> 8° tilt / 18° recline
PACKAGING (CHAIR IN BOX)
<ul style="list-style-type: none"> Size: 27.375" x 24.375" x 33" Weight: 60.15 lbs.
SUSTAINABILITY CERTIFICATIONS
<ul style="list-style-type: none"> Indoor Advantage Gold BIFMA Level III certified

	POUNDS	KILOGRAMS
Chair Weight (Armless)	39.2lbs	17.8kg
Chair Weight (With Arms)	41lbs	18.6kg

SMART CONFERENCE

COMPONENT	CODE	DESCRIPTION	LIST	
STYLE	S61	Smart Conference	\$2,583	
ARMREST	0	Armless	-	
	1	Fixed Duron Arms	\$297	
	2	Fixed Duron Arms with Matching Textile	\$331	
FRAME	P	Polished Aluminum	-	
SEAT/BACK TEXTILE	ML	Maribo Leather	\$1,740	
TEXTILE COLOR	10N	Carbon w/ Noir Stitching <i>(Matching Stitching)</i>	-	
	10W	Carbon w/ White Stitching <i>(Contrast Stitching)</i>	-	
	21A	Espresso w/ Cocoa Stitching <i>(Matching Stitching)</i>	-	
	21O	Espresso w/ Mocha Stitching <i>(Contrast Stitching)</i>	-	
	22C	Teak w/ Coffee Stitching <i>(Matching Stitching)</i>	-	
	22L	Teak w/ Saddle Stitching <i>(Contrast Stitching)</i>	-	
	12M	Slate w/ Midnight Stitching <i>(Matching Stitching)</i>	-	
	12P	Slate w/ Medium Grey Stitching <i>(Contrast Stitching)</i>	-	
	11Y	Stone w/ Light Grey Stitching <i>(Matching Stitching)</i>	-	
	31V	Bone w/ Vanilla Stitching <i>(Matching Stitching)</i>	-	
	31O	Bone w/ Mocha Stitching <i>(Contrast Stitching)</i>	-	
	13W	Frost w/ White Stitching <i>(Matching Stitching)</i>	-	
	23T	Terra w/ Tan Stitching <i>(Matching Stitching)</i>	-	
	23D	Terra w/ Sand Stitching <i>(Contrast Stitching)</i>	-	
SEAT TYPE	F	Standard Seat Pan	-	
CYLINDER HEIGHT	S	Standard 5"	-	
	A	3" Return to Height	\$68	
	E	5" Return to Height	\$68	
CASTER	H	Standard Casters	-	
	S	Soft Casters	\$40	
	K	Locking Casters	\$188	
FIREPROOFING	N	Standard Foams and Plastics	-	
SHIPPING	C	Individually Boxed (Knock Down)	-	
	B	Blanket Wrapped	-	



SMART CONFERENCE Options & Prices

REPLACEMENT PARTS	Code	Price	Leather 1
-------------------	------	-------	-----------

Chair Parts			
Foam Seat Cushion	SSF12226		\$813
Foam Back Cushion (Armless) Includes U-Frame	SCBF12226		\$1,881
Foam Back Cushion (Fixed Arms) Includes U-Frame	SCBFF1226		\$1,956

Armrests			
Fixed Duron Arm Pads	SDA5	\$89	
Fixed Duron Arm Pads w/ Matching Textile	SDAM1222		\$169



SUMMA

Designed specifically with executive boardrooms and offices in mind, Summa's enveloping shape and sculpted materials converge for a truly harmonious design that exudes luxury in every detail. Utilizing only one discreet height adjustment lever, Summa features a weight-compensating recline mechanism and integrated armrests for exceptional ergonomic comfort and support.

SUMMA Features & Characteristics



Walnut Wood Finish



Ebony Wood Finish



Anegre Wood Finish

Features

- Built-in armrests attached to the back to move with the user, supporting the sitter in every posture
- Simple and discreet height-adjustment lever seamlessly integrated into the seat
- Sitter's own weight automatically sets the recline tension
- Chair back is available in three rich wood finishes or 7 upholstery options with matching box-stitching
- Supports users up to 300 lbs in weight and 6'4" in height
- Warranty: 10-year on components; 5-year on upholstery and wood

DESCRIPTION	MEASUREMENT	
	in	mm
Seat Depth (from face of lumbar to front of seat)	18	457.2
Seat Height (from floor to compressed front of seat cushion)	15.5 - 20.5	393.7 - 520.7
Seat Width	18.25	463.55
Backrest Height (from seat cushion to top of backrest)	20.75	527.05
Backrest Width	17.25	438.15
Armrest Height (from compressed seat cushion to top of armrest)	8	203.2
Armrest Length (from face of lumbar to front of armrest)	11	279.4
Distance Between Armrests	17.25	438.15
Height	36.25 - 41.25	920.75 - 1,047.75
Base Diameter	25.5	647.7
Chair Width	28	711.2
Chair Depth	25.5	647.7
Upholstered Chair Weight	43 lbs.	19.5 kg
Wood Chair Weight	46 lbs.	20.9 kg

SUMMA Build Your Product Code

			LIST PRICE	
COMPONENT	CODE	BASE MODEL PRICE	\$5,179	
STYLE	U1	Summa	-	
BACK SHELL	UL	Upholstered Leather <i>(Available in black powder coated aluminum or polished aluminum frame)</i>	\$1,412	
	WA	Anegre Wood <i>(Available in polished aluminum frame only)</i>	\$2,340	
	WW	Walnut Wood <i>(Available in polished aluminum frame only)</i>	\$2,340	
	WE	Ebony Wood <i>(Available in polished aluminum frame only)</i>	\$2,340	
	FRAME COLOR	B	Black with Black Trim	-
	P	Polished Aluminum	\$448	
TEXTILE		Textile Grade 2 (RF, RM)	\$872	
		Textile Grade 3 (HL, SQ, ST)	\$1,385	
		Textile Grade 4 (AR, CD, EL, VN)	\$2,129	
		Leather Grade 1 (ML)	\$1,406	
LEATHER STITCH <i>X is the identifier used when fabric selected</i>	X	Only if leather is selected, see page 71 for stitch options	-	
SEAT TYPE	F	Standard Seat Pan	-	
CYLINDER HEIGHT	S	Standard 5"	-	
CASTERS	H	Standard Casters	-	
	S	Soft Casters	\$40	
	K	Locking Casters	\$188	
FIRE PROOFING	N	Standard Plastics and Foams	-	
SHIPPING	C	Individually Boxed	-	

REPLACEMENT PART	CODE	LIST PRICE
Upholstered Seat Cushion	US11223	
Textile Grade 2		\$547
Textile Grade 3		\$601
Textile Grade 4		\$657
Leather Grade 1		\$766
Back Shell	UBP11223	
Textile Grade 2		\$1,276
Textile Grade 3		\$1,343
Textile Grade 4		\$1,400
Leather Grade 1		\$1,540
Upholstered Back Cushion	UB11223	
Textile Grade 2		\$1,543
Textile Grade 3		\$1,611
Textile Grade 4		\$1,667
Leather Grade 1		\$1,818
WOOD COMPONENTS		
Wood Back- Center Panel	UWB455	\$966
Wood Back-LH/RH Arm Panels	UWB455	\$765

* 1=Leather Option, 2= Leather Color, 3= Stitching Color, 4=Location (C for Center, A for Arms), 5=Wood Option



DIFFRIENT OCCASIONAL



Diffrient Occasional is a stackable multipurpose chair that is suitable for a variety of office and group settings. A strong, linear backrest made with proprietary non-stretch mesh creates a three-dimensional form — fitting the user like a perfectly tailored shirt. As with all of our mesh chairs, Occasional has a minimalist aesthetic and is supportive in all positions for long-term comfort.

- The lightweight chairs can be stacked up to five high for easy storage
- Long-lasting frame and durable urethane arms resist damage, even when moved and stacked
- Mesh pattern can be configured to match our Diffrient World task chair for a consistent aesthetic

Product Weight	21.5 lbs.
Product Height	36.68"
Product Width	23.23"
Product Depth	21.19"
Product Finishes	<i>Backrest Frame</i> - Black <i>Cantilever Base</i> - Black Powder Coat, Chrome 3

Build Your Product Code

COMPONENT	CODE	Base Model Price	Liberty		Smart		World	
			O1	O2	O3	O4	O5	O6
			LIST \$1,081	LIST \$1,081	LIST \$1,081	LIST \$1,081	LIST \$1,081	LIST \$1,081
Frame Color	B	Black with Black Trim	-	-	-	-	-	-
	T	Chrome 3 with Black Trim	\$124	\$124	-	-	N/A	-
Backrest Mesh	M	Monofilament	-	-	-	-	-	-
	C	Silver Check	-	-	-	-	-	-
	N	Pinstripe	-	-	-	-	-	-
	A	Dash	-	-	-	-	-	-
	J	Catena	-	-	-	-	-	-
Mesh Color		See pages 67-72 for color options and codes						
Seat Textile		Textile Grade 1 (FT,K,CF)	\$33	\$33	\$33	\$33	\$33	\$33
		Textile Grade 2 (F)	\$74	\$74	\$74	\$74	\$74	\$74
		Leather Grade 1 (TL)	\$607	\$607	\$607	\$607	\$607	N/A
		Leather Grade 3 (CL)	\$1,222	\$1,222	\$1,222	\$1,222	\$1,222	N/A
Textile Color		See pages 67-72 for color options and codes						
Fire Proofing	N	Standard Plastics & Foams	-	-	-	-	-	-
Shipping	C	Individually Boxed	-	-	-	-	-	-
	B	Blanket Wrapped - <i>See Terms and Conditions for minimum order requirements</i>	-	-	-	-	-	-

Replacement Parts

COMPONENT	CODE	TEXTILE GRADE 1	TEXTILE GRADE 2	LEATHER GRADE 1	LEATHER GRADE 3
SEAT CUSHION	OCC121222	\$229	\$271	\$691	\$1,372

*Leather only available on Smart and Liberty back versions

MESH BACK	CODE	PRICE
Liberty Back	OCC1B3422	\$260
Smart Back	OCC2B3422	\$260
World Back	OCC3B3422	\$260

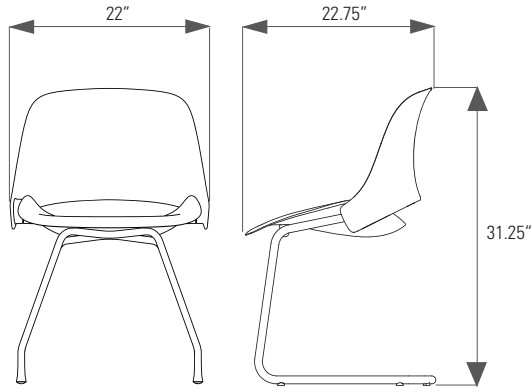
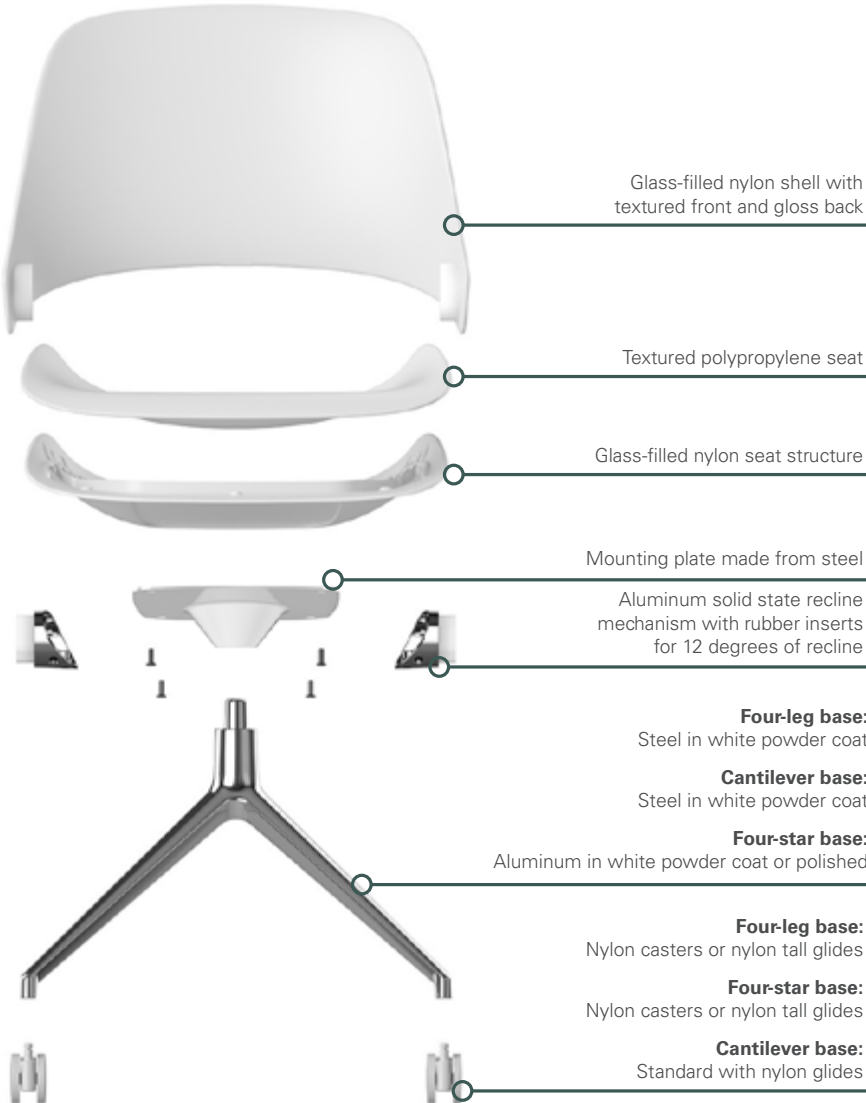




TREA

Created in collaboration with visionary designer Todd Bracher, Humanscale's Trea chair features a sophisticated design that embodies versatility. Engineered with an innovative solid state recline mechanism, Trea offers intuitive comfort, while its fresh yet classic aesthetic provides stylish support in office and home interiors. Available with a variety of base, finish and upholstery options, Trea can be customized for use in a variety of spaces.

TREA Features & Specifications



WEIGHTS
• 20 lbs. (Four-leg)
• 21.75 lbs. (Cantilever)
• 20.5 lbs. (Four-star)

TREA Build Your Product Code

COMPONENT	CODE		LIST PRICE	
LINE	T	Trea	-	
STYLE	100	Four Legs	\$877	
	200	Cantilever	\$1,019	
	300	Four Star	\$1,182	
	400	Lite Task	\$1,249	
	500	Lite Task Stool (high cylinder with 20" foot ring)	\$1,453	
FRAME FINISH	W	White powder coat - <i>Available with all base styles.</i>	-	
	P	Polished Aluminum - <i>Only available with Four Star Bases</i>	\$212	
BACKREST SHELL COLOR	W	White	-	
SEAT SHELL COLOR	W	White - <i>Only available with White Backrest Shell</i>	-	
SEAT PAD TEXTILE	XX	No Seat Pad Selected	-	
		Textile Grade 1 (FT, K, CF)	\$176	
		Textile Grade 2 (F, RF, RM)	\$249	
		Textile Grade 3 (HL, SQ, ST)	\$476	
		Textile Grade 4 (AR, CD, EL, VN)	\$746	
		Leather Grade 1 (TL)	\$763	
		Leather Grade 3 (CL)	\$1,431	
SEAT PAD TEXTILE COLOR	XX	No Seat Pad Selected	-	
		See pages 67-72 for color options and codes	-	
CASTERS	G	Glides - <i>Only available w/ Four Legs & Cantilever.</i>	-	
	C	Hard Casters	\$53	
	S	Soft Casters	\$62	<i>Only available with Four Legs & Four Star</i>
	K	Hard Breaking Casters	\$71	
	O	Soft Breaking Casters	\$79	
FIREPROOFING	N	None - Standard Plastics & Foams	-	
SHIPPING	C	Individually Boxed	-	
	B	Blanket Wrapped - <i>See Terms and Conditions for minimum order requirements</i>	-	

Replacement Parts

COMPONENT	CODE	TEXTILE GRADE 1	TEXTILE GRADE 2	TEXTILE GRADE 3	TEXTILE GRADE 4	LEATHER GRADE 1	LEATHER GRADE 3
SEAT CUSHION	TS1222	\$194	\$264	\$336	\$449	\$764	\$1,440





BALLO

A fun sitting solution, Ballo is a multipurpose stool that is ideal for a wide range of environments. Designed by Don Chadwick, it reinvents the exercise ball, with a design that is appropriate for workplace settings while offering easier storage. Promoting short-term, active sitting, Ballo also encourages low intensity physical activity and helps to reduce sedentary behavior.

BALLO Features & Specifications



AIR-FILLED TOP AND BOTTOM DOMES

- The top and bottom non-slip, dimpled air domes are made from a thermoplastic vulcanizate (TPV) material, rather than PVC that is the industry standard and can off-gas.

LIGHTWEIGHT

- Lightweight at just 13.5 pounds and with cleverly designed hand holds, Ballo can be easily moved from space to space.

HANDLE HOLDS

- Ballo comes with handle holds for easy portability.

CENTRAL COLUMN

- Ballo's cone and spool column made out of polypropylene

BODY FIT

- Air-filled, non-slip dimpled domes shape to the body and provide a comfortable sitting experience.

SAFE AND COMPACT

- Counterweighted base ensures Ballo remains upright for stable movement and convenient storage.

DURABLE AND ECO-FRIENDLY

- Ballo is made from eco-friendly, easy-clean and durable TPV materials which can be configured in various hues to add color to any space.
- Innovative spool-shaped central column is made from strong, long-lasting polypropylene and designed with clean lines to offer a modern aesthetic.

WEIGHT
• 13.5 lbs.
<i>NOTE: ALL DIMENSIONS MEASURED AT .35 PSI ON EACH DOME</i>



BALLO Build Your Product Code

COMPONENT	CODE	BASE MODEL PRICE	LIST	
LINE	B	Ballo	\$633	
STYLE	10	Standard	-	
DOME COLOR	B	Black	-	
	R	Red	-	
	G	Gray	-	
	E	Green	-	
	S	Sky Blue	-	
BODY COLOR	W	White	-	
FIREPROOFING	N	None	-	
SHIPPING	C	Individually Boxed	-	

REPLACEMENT PARTS	CODE	PRICE
Ballo Accessories		
Ballo Pump	BALLO_PUMP	\$22
Ballo Needle	BALLO_NEEDLE	\$2

..... A needle is included with each Ballo Pump





CINTO

Appropriate for a wide range of commercial and residential environments, Cinto sets a new standard for ergonomic stackable seating through unique design and manufacturing innovations. Spanish for “belt,” Cinto features a floating backrest that is attached to the chair’s frame via a flexible belt, allowing it to move with the body to provide recline and automatic lumbar support. For cool seated comfort, air vents on the backrest and seat pan enable air circulation.

CINTO Features & Specifications



BACKREST HANDLE

- Provides easy transport

FLEXIBLE BACKREST

- Attached to the chair's frame via a flexible belt, the floating backrest bends and adjusts with the sitter
- Flexibility of backrest creates virtual pivot point for automatic lumbar support
- No adjustments required

ARMREST OPTIONS

- Armless
- Fixed arms

VENTED SEAT PAN AND BACKREST

- Promotes air circulation and prevents "hot spots"

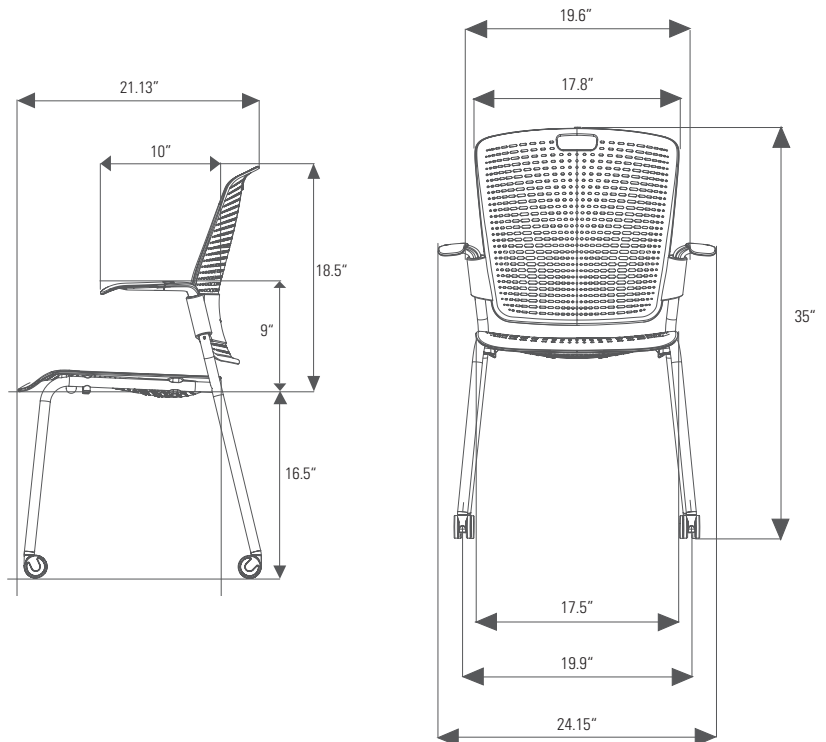
STACKABILITY

- Freestanding Cintos stack six chairs high
- Up to 15 chairs can be stacked on the optional Cinto Dolly

BASE OPTIONS

- Four legs on glides
- Four legs on casters

WEIGHT
<ul style="list-style-type: none"> • 9 lbs. Armless chair • 10 lbs. Fixed-Arm chair
CINTO DOLLY EMPTY
<ul style="list-style-type: none"> • Height 44" • Depth 41" • Width 26"
CINTO DOLLY FULLY STACKED WITH 15 CHAIRS
<ul style="list-style-type: none"> • Height 67" • Depth 41" • Width 26"
WEIGHT CAPACITY
<ul style="list-style-type: none"> • 300 lbs



CINTO Build Your Product Code

COMPONENT	CODE	BASE MODEL PRICE	LIST	
LINE	C	Cinto	\$366	
STYLE	1	Four Legs, Glides	-	
	2	Four Legs, Casters	\$50	
ARMRESTS	0	Armless	-	
	5	Fixed Arms	\$87	
FRAME COLOR	S	Silver	-	
	B	Black	-	
BACKREST, SEAT PAN COLOR	01	White - <i>Not available with CAL 133 Approval</i>	-	
	10	Black	-	
	15	Gray	-	
	17	Taupe	-	
	18	Light Gray - <i>Not available with CAL 133 Approval</i>	-	
	33	Yellow	-	
	41	Green - <i>Not available with CAL 133 Approval</i>	-	
	52	Light Blue - <i>Not available with CAL 133 Approval</i>	-	
	53	Blue	-	
OPTIONAL SEAT PAD	XXXX	No seat pad	-	
	FT10	Fourtis Black	\$68	
	FT12	Fourtis Granite	\$68	
	FT56	Fourtis Nimbus	\$68	
	FT68	Fourtis Hyacinth	\$68	
FIREPROOFING	N	Standard Plastics	-	
	C	CAL 133-Approved	\$34	

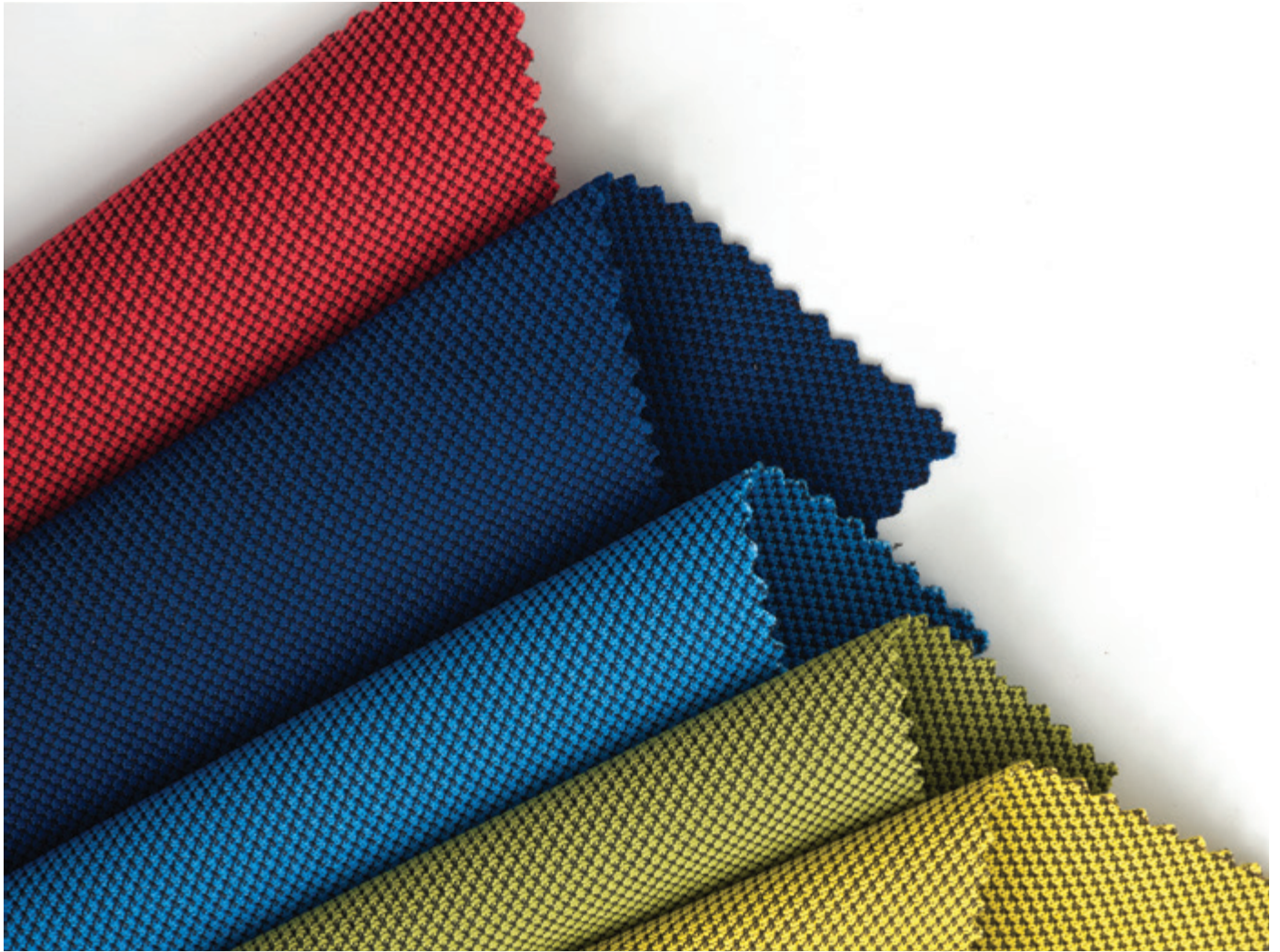
PARTS & ACCESSORIES	Code	CAL133 Available	Price
---------------------	------	------------------	-------

Replacement Parts			
Seat Pan	CRS11		\$80
Seat Pan, CAL 133-Approved	CRS11	C	\$95
Seat Pad*	CRP4555		\$68
Casters (Black, Set of 4)	CRCAST		\$49
Glides (Set of 4)	CRGLIDE2		\$18
Arm Sleeves (Pair)	CRA3		\$44
Retrofit Armrest Kit (Pair)	CKA23		\$120

Accessories			
Cinto Dolly	CINTODLY		\$369

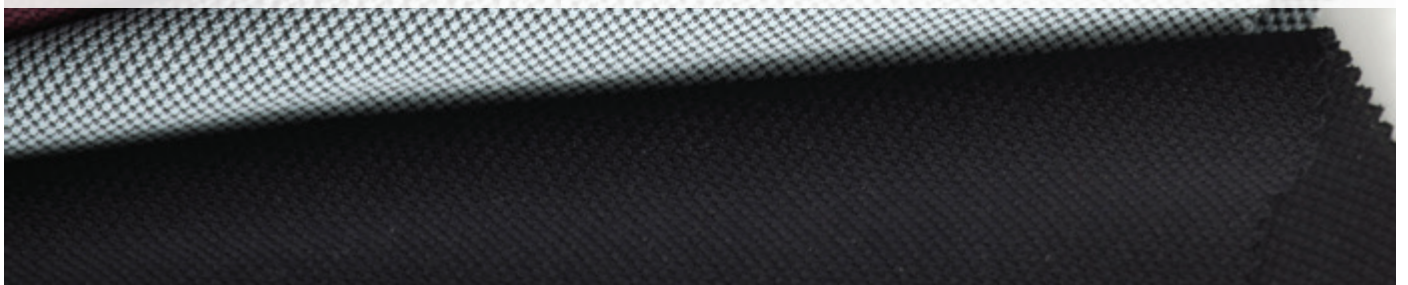
Any code containing a number refers to the component or textile that must be selected to order the replacement or retrofit part.
 1- Backrest, Seatpan Color; 2 - Frame Color (S-Silver, B-Black); 3 - Trim Color (G-Gray, B-Black); 4 Textile Code (pages 41-42) 5 - Textile Color (pages 41-42)

*Seat Pad not available with CAL133



Textiles

The cushions on all Humanscale chairs utilize advanced technology developed primarily for the sportswear and sporting goods industries. In a single step, a high-tech molding process combines the textile, foam or Technogel®, and plastic support shell into a single, modular unit which can be attached to our seating with four screws. Because of this advanced process, the textiles used on the cushions are as unique as the rest of the chair, and satisfy requirements more demanding than typical upholstery textiles.



TEXTILES

*Living Product Challenge Approved



LOTUS*		Code	Color
Textile Code: K	Textile Grade: 1	101	Black
Water repellent and easy to clean, Lotus is an ideal textile for the healthcare and hospitality environments. Its polyurethane finish with nylon backing boasts a soft texture that is pleasant to the touch while offering exceptional durability.		128	White
		158	Shale
		182	Hematite
		2C4	Umber
		281	Walnut
		302	Ochre
		459	Verdant
		507	Navy
		603	Plum
		608	Crocus
624	Eggplant		
758	Lucky Red		

FOURTIS*		Code	Color
Textile Code: FT	Textile Grade: 1	10	Black
Fourtis is a four-way stretch fabric that easily conforms to our cushions for the ultimate in comfort and flexibility. While still adjustable, its satin crepe weave structure is highly durable and creates a strong, high-performance fabric.		12	Granite
		16	Ash
		44	Alaria
		49	Clover
		56	Nimbus
		57	Navy
		63	Boysenberry
		68	Hyacinth
		78	Winterberry

FormSense Eco Knit*		Code	Color
Textile Code: KT		10	Soft Black
Exclusively created for our Path chair, Revital is our FormSense Eco Knit™ that is made of 100% post-consumer recycled polyester. Derived from upcycled plastic bottles, this textile utilizes 3D knit technology that individually controls each stitch, creating intricate and systematic patterns with targeted zones of tension. This allows the material to fit the contours of the body, providing self-adjusting lumbar support that is tailored to fit every user.		11	Graphite
		12	Storm
		13	Vapor
		40	Peacock
		41	Moss
		42	Evergreen
		50	Midnight
		71	Wine
		73	Terracotta

GINKGO		Code	Color
Textile Code: F	Textile Grade: 2	101	Black
Composed of 90% Wool, Ginkgo offers a pleasing texture and durability. Its subtle and elegant pattern makes this textile appropriate for a variety of environments. Ginkgo comes in vibrant and saturated colors, expanding the scope of Humanscale's upholstery line.		281	Walnut
		315	Wheat
		463	Green
		507	Navy
		556	Storm
		568	Horizon
		816	Harvest Orange

CORDE 4*		Code	Color
Textile Code: CF	Textile Grade: 1	10	Black
Corde 4 is a four-way stretch design which moves with the sitter as they adjust positions in their chair, providing ultimate comfort. Its intricate weave structure, dimensional surface and wide array of neutral and vibrant shades are visually appealing and engaging to the touch.		12	Graphite
		21	Dark Brown
		22	Driftwood
		43	Balsam
		45	Peacock
		52	Thalo
		56	Medium Gray
		57	Navy
		58	Azure
		62	Deep Violet
		78	Parma Red
		86	Pumpkin



TEXTILES: KVADRAT

REFLECT*

Textile Code: RF Textile Grade: 2

Reflect is a sophisticated twill weave textile for upholstery designed by Patricia Urquiola made from recycled polyester, with a natural expression and a particularly tactile touch. Reflect has a particularly delicate and soft hand. Made from recycled polyester, it offers excellent functional performance, as well as a full scale of vibrant colors.

Available in 35 colors

Code	Reflect Color	Code	Reflect Color
10	0104	56	0564
11	0114	57	0574
12	0124	61	0614
15	0154	64	0644
16	0164	67	0674
17	0174	69	0694
18	0184	71	0714
19	0194	74	0744
20	0224	77	0774
27	0274	79	0794
34	0344	82	0824
37	0374	88	0884
38	0384	92	0924
40	0404	94	0944
43	0434	96	0964
44	0444	98	0984
46	0464	99	0994

REMIX

Textile Code: RM Textile Grade: 2

Remix 3 is an elegant upholstery textile distinguished by exceptional depth of color. The textile features a tight, minimalistic weave, and derives its lively color play from a combination of two different mélange yarns, which each fuse up to three hues.

Available in 72 colors

Code	Remix Color	Code	Remix Color
11	0113	60	0606
12	0123	61	0612
01	0126	63	0632
13	0133	64	0643
03	0136	65	0653
14	0143	66	0662
15	0152	67	0672
16	0163	62	0682
17	0173	68	0686
18	0183	69	0692
19	0196	72	0722
22	0223	73	0733
23	0233	74	0743
24	0242	75	0753
25	0252	76	0762
26	0266	77	0773
27	0276	78	0783
28	0286	79	0796
29	0296	81	0816
32	0326	82	0823
34	0346	83	0836
35	0356	84	0842
36	0362	85	0852
37	0373	86	0866
38	0383	87	0873
39	393	90	0906
40	0406	91	0912
41	0412	92	0923
42	0422	93	0933
43	0433	94	0942
44	0443	95	0954
45	0452	96	0962
51	0516	97	0973
53	0536	98	0982
54	0543	99	0996
56	0566		

*For users in the United Kingdom, chairs configured with Kvadrat Reflect may only be sold and/or used for contract, commercial, or office building purposes. Because Humanscale aims to manufacture without toxic ingredients, our chairs do not contain the fire retardants required to comply with UK laws for residential settings. Chairs configured with Kvadrat Reflect may not be sold or used in residential or home settings under any circumstances and such a sale or use will void the warranty.



TEXTILES: KVADRAT

HALLINGDAL 65

Textile Code: HL Textile Grade: 3

Kvadrat's first textile, Hallingdal, is the archetype of woolen textiles. Its strong upholstery fabric is made of wool and viscose, providing excellent durability and flexibility. Both materials are dyed before they are spun, which highlights the rich texture of the fabric.

Available in 58 colors

Code	Hallingdal 65 Color	Code	Hallingdal 65 Color
01	0100	57	0573
03	0103	59	0590
11	0110	56	0596
13	0113	60	0600
06	0116	65	0657
23	0123	66	0660
12	0126	67	0674
30	0130	80	0680
14	0143	68	0687
15	0153	69	0694
16	0166	70	0702
17	0173	72	0723
18	0180	73	0733
19	0190	50	0750
02	0200	07	0753
20	0220	75	0754
24	0224	76	0763
27	0270	74	0764
35	0350	77	0773
38	0368	81	0810
37	0370	84	0840
36	0376	85	0850
39	0390	89	0890
40	0407	97	0907
42	0420	94	0944
45	0457	90	0960
52	0526	96	0968
54	0547	98	0980
53	0563		

STEELCUT TRIO

Textile Code: ST Textile Grade: 3

Steelcut Trio is a hardwearing woolen upholstery textile with an innovative weave with a simple yet precise expression. Its three-dimensional surface resembles small pyramids or steel points. Steelcut Trio is yarn-dyed and made from 3 differently colored yarns.

Available in 54 colors.

Code	St. Trio Color	Code	St. Trio Color
10	0105	51	0515
11	0113	52	0526
12	0124	53	0533
13	0133	55	0553
15	0153	57	0576
17	0176	61	0616
19	0195	63	0636
20	0205	64	0645
21	0213	66	0666
22	0226	68	0686
23	0236	71	0713
24	0246	76	0716
25	0253	74	0746
26	0266	75	0756
27	0276	77	0776
28	0283	79	0796
33	0336	80	0806
37	0376	86	0865
38	0383	88	0883
41	0416	90	0906
42	0426	91	0916
43	0436	94	0946
44	0446	95	0953
45	0453	96	0966
46	0466	97	0976
47	0476	98	0983
50	0506	99	0996

STEELCUT QUARTET

Textile Code: SQ Textile Grade: 3

Steelcut Quartet is an upholstery textile with a pioneering mélange look, characterized by softness, color depth, and durability. This textile has a sustainable profile and comes in optimistic, warm colorways by Giulio Ridolfo. The textile's colorways harmonize these positive, bold notes to vibrant effect.

Available in 19 colors

Code	St. Quartet Color	Code	St. Quartet Color
11	0114	55	0554
14	0144	64	0644
15	0154	65	0654
22	0224	66	0664
35	0354	68	0684
39	0394	76	0764
41	0414	92	0924
43	0434	94	0944
53	0534	99	0994
54	0544		



TEXTILES: KVADRAT

ARDA

Textile Code: AR Textile Grade: 4

Arda is a knitted, tapestry- like upholstery textile primarily constructed from natural woolen yarn. Double-knitted, it replicates textures and tones of different natural environments found in Sweden.

Available in 12 colors

Code	Arda Color	Code	Arda Color
13	0131	67	0671
16	0161	77	0771
20	0201	79	0791
21	0211	93	0931
32	0321	96	0961
35	0351	99	0991

CODA 2

Textile Code: CD Textile Grade: 4

Coda is a tactile upholstery textile made from wool that is woven in two layers, each with a different color. This fabric features a distinctive three-dimensional expression that combines a graphic, textured surface, and sophisticated colors.

Available in 18 colors

Code	Coda 2 Color	Code	Coda 2 Color
01	0100	41	0410
10	0103	42	0422
11	0116	44	0442
18	0182	61	0610
22	0222	63	0632
23	0232	64	0642
24	0242	72	0722
36	0362	76	0762
38	0382	96	0962

ELLE

Textile Code: EL Textile Grade: 4

Elle is a curled boucle fabric made of spun boucle yarn and is comprised of wool, viscose, and acrylic, giving the surface soft tactility.

Available in 14 colors

Code	Elle Color	Code	Elle Color
15	0150	35	0350
18	0180	39	0390
20	0200	48	0480
22	0220	53	0530
23	0230	68	0680
28	0280	75	0750
29	0290	95	0950

VANIR

Textile Code: VN Textile Grade: 4

Vanir is a felted woolen textile inspired by historical woolen military coats. It is created through an exacting technique that makes a dense yet soft felt with dissolved speckles of color from the bouclé yarn.

Available in 18 Colors

Code	Vanir Color	Code	Vanir Color
11	0113	44	0443
13	0133	47	0473
19	0193	69	0693
24	0243	73	0733
29	0293	77	0773
36	0363	88	0883
37	0373	91	0913
39	0393	94	0943
41	0413	98	0983



LEATHERS

NOTE: Only matching stitch or contrast stitch options may be selected with each leather color

Ticino	Code	Color	Matching Stitch Code	Contrast Stitch Code
Textile Code: TL Leather Grade: 1	10	Obsidian	N	B, R, V
Ticino is a semi-aniline dyed leather available in a variety of rich colors inspired by nature. It is a top, corrected grain leather to create a more natural aesthetic and ensure the leather remains as unique as the hide itself.	11	Pebble	Y	–
	12	Charcoal	M	Y
	13	Glacier	W	–
	21	Umber	A	–
	22	Canyon	C	–
	31	Sand	V	–

Corvara	Code	Color	Matching Stitch Code	Contrast Stitch Code
Textile Code: CL Leather Grade: 3	10	Onyx	N	B, R, V
Corvara is a semi-aniline dyed leather that offers a smooth, silky feel and ultimate durability. It is a top, full grain leather that is embossed lightly for a consistent, uniform grain structure.	11	Mineral	V	–
	21	Java	A	–
	23	Saddle	T	–
	57	Midnight	N	Y
	71	Jasper	H	–

Maribo	Code	Color	Matching Stitch Code
Textile Code: ML Leather Grade: 1	ML10	Carbon	N
Maribo, a soft and pliable semi-aniline leather, created to provide unbeatable comfort and durability while keeping an elegant quality to the leather.	ML21	Espresso	A
	ML22	Teak	C
	ML12	Slate	M
	ML11	Stone	Y
	ML31	Bone	V
	ML13	Frost	W
	ML23	Terra	T

Leather Stitching Options	Code	Color
Choose a stitch color to match or contrast your choice of leather.	V	Vanilla
	M	Midnight
	N	Noir
	C	Coffee
	Y	Light Grey
	W	White
	T	Tan
	A	Cocoa
	H	Cherry
	B	Blue
R	Red	



MESH

All Mesh Options are Living Product Challenge Approved



MONOFILAMENT STRIPE	Code	Color
Mesh Code: M	10	Black
Using only monofilament yarns that are thin and strong, a simple but classic stripe pattern is achieved through weave structure and yarn placement. This pattern has slight elasticity but terrific memory.	11	Carbon
	14	Platinum
	41	Green
	51	Atlantic
	81	Amber

SILVER CHECK	Code	Color
Mesh Code: C	12	Alloy
This unique translucent pattern is achieved using monofilament and a silver-plated yarn spun with polyester at its core. More than simply an aesthetic choice, the silver-plated yarn gives the textile flexibility and strength.	32	Topaz

PINSTRIPLE	Code	Color
Mesh Code: N	01	White
Designed specifically to work with the Diffrient World Chair, this lightweight fabric provides the strength and support of a much heavier mesh by using two different monofilament stretch yarns to provide proper support.	02	Silver
	03	Graphite
	10	Black
	34	Cadmium Yellow
	43	Citron
	58	Cyan
	74	Crimson

TEXTILE PURCHASE PROGRAM

All Humanscale textiles (with the exception of Leather) are available for purchase by the linear yard. The prices below are net (standard discounts do not apply). A \$20 cut charge will apply to each order. Please see your Humanscale representative for more information.

Monofilament Stripe	\$90/yd (50" width)
Silver Check	\$105/yd (53" width)
Lotus	\$54/yd (54" width)
Ginkgo	\$113/yd (51" width)
Dash	\$113/yd (48" width)
Pinstripe	\$98/yd (48" width)
Catena	\$90/yd (52" width)
Corde 4	\$65/yd (50" width)
Fourtis	\$60/yd (50" width)

CATENA	Code	Color
Mesh Code: J	10	Black
Catena's dense and rich hues are inspired by the vibrant spice markets of India. When used as a backrest textile, this proprietary non-stretch mesh provides a customized lumbar support through its tri-panel patented design that fits the user like a tailored shirt.	35	Bayberry
	50	Cornflower
	1A	Poppy Seed
	1B	Caraway

DASH	Code	Color
Mesh Code: A	14	Platinum
Designed to resemble embroidery floss, Dash is stronger, more responsive, lighter weight and uses less material than most mesh textiles. It gives the user support, comfort and ease of movement, while meeting Human-scale's seating requirements.	19	Zinc

CUSTOM COLORS

Textiles:

Most Humanscale textiles are available in any customer-specified color. Delivery time frames for custom color orders will depend on color approval. A surcharge of \$50 per chair will apply to custom color orders. The minimum order quantity for these fabrics are as follows:

Lotus, Ginkgo:

Freedom Task + Headrest	200 chairs
Liberty Task	400 chairs
Diffrient Smart	400 chairs
Freedom Saddle	400 chairs
Freedom Pony Saddle	600 chairs

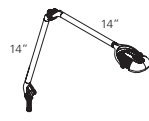




Lighting

Task lighting is an integral part of the ergonomic workstation, and each of Humanscale's task lights provides exceptional levels of bright, comfortable light. Yielding both ergonomic and economic benefits, Humanscale's comprehensive lighting line fits any needs, whether you desire performance, efficiency, ease of use, or all of the above.

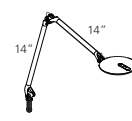
Build Your Element™ LED Light Product Code



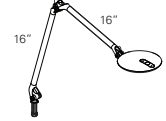
790



VISION



DISC



DISC XL

COMPONENT	CODE		LIST		LIST		LIST		LIST
STYLE	ED	Element 790 5-Watt Hi-Output MCX LED with Smart Dimmer	\$523						
	EV	Element Vision: 7-Watt Hi-Output MCX LED with Smart Dimmer and Occupancy Sensor			\$617				
	EC	Element Disc: 7-Watt Thin Film LED Technology with Smart Dimmer and Occupancy Sensor					\$858		
	EX	Element Disc XL: Extended Arms, 7-Watt Thin Film LED Technology with Smart Dimmer and Occupancy Sensor							\$913
PLUG	E	North America	-		-		-		-
MOUNT (See next page for mount specifications)	C	Clamp	-		-		-		-
	G	Clamp with Grommet Cover	\$16		\$16		\$16		\$16
	T	2-Piece Clamp with Theft Deterrent	\$56		\$56		\$56		\$56
	PA	Panel Mount - Herman Miller Action Office	\$40		\$40		\$40		\$40
	PR	Panel Mount - Herman Miller Resolve	\$40		\$40		\$40		\$40
	PI	Panel Mount - Teknion IE	\$40		\$40		\$40		\$40
	U	Universal Panel Mount	\$40		\$40		\$40		\$40
	Y	Element Tech Base (2 - 120V outlets)	\$227		\$227		\$227		\$227
	X	Element Tech Base (2 USB + 1 120V)	\$219		\$219		\$219		\$219
	E	Steelcase C-Scape Mount Kit	\$46		\$40		\$40		\$40
	W	Wall Mount	-		-		-		-
	A	Humanscale Access Rail	-		-		-		-
	B	Element Desktop Base	\$81		\$81		\$81		\$81
R	Direct with Theft Deterrent	\$40		\$40		\$40		\$40	
S	Universal Slatwall	-		-		-		-	
COLOR	S	Silver (semi-matte)	-		-		-		-
	W	Arctic White (high gloss)	-		-		-		-
	B	Jet Black (semi-matte)	\$40		\$40		\$40		\$40
OPTIONAL ACCESSORIES	Q	Extension Cord 10' (300 cm)	\$15		\$15		\$16		\$15
	H	External Power Switch, North America	\$21		\$21		\$22		\$21

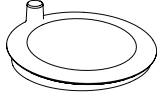
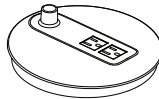
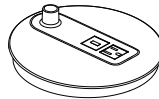
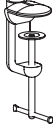
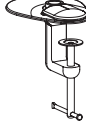



ELEMENT LIGHT REPLACEMENT PARTS (if purchased separately)

Element Desktop Base	ELBS (silver) ELBW (white) ELBB (black)	\$123	Direct with Theft Deterrent	ELRS (silver) ELRB (black) ELRW (white)	\$87
Element Tech Base (1 USB + 1-120V outlet)	ELXW (white) ELXB (black) ELXS (silver)	\$266	Universal Panel Mount	ELUS (silver) ELUB (black) ELUW (white)	\$50
Element Tech Base (2-120V outlets)	ELYW (white) ELYB (black) ELYS (silver)	\$319	Panel Mount (1): Panel System Code, (2): Color (B or S)	EL(1 2)	\$87
Humanscale Access Rail	ELAS (silver) ELAB (black)	\$50	Steelcase C-Scape Mount Kit	ELES	\$87
Clamp	ELCS (silver) ELCW (white) ELCB (black)	\$50	Extension Cord 10' (300 cm)	ELCORD10	\$27
2-Piece Clamp with Theft Deterrent	ELTS (silver), ELTB (black) ELTW (white)	\$109	External Power Switch	ELSWITCH	\$31
Wall	ELWS (silver) ELWB (black)	\$50	Grommet Cover <small>For use with Clamp Mount C</small>	ELGC (black)	\$15
			North American Plug Set	ELPLUGE	\$50
			Universal Slatwall	ELSS (silver) ELSB (black) ELSW (white)	\$66

NOTE:
Element Classic EL light is available by special order only.



ELEMENT LIGHT MOUNT OPTIONS

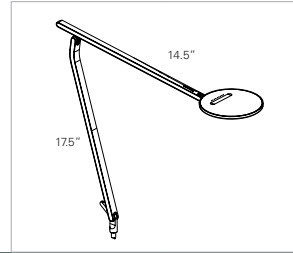
		
<p>B Element Desktop Base 8" (200 mm) diameter</p>	<p>Y Element Tech Base (2-120V convenience outlets) 8" (200 mm) diameter. Two three-pronged outlets. 8 Amps maximum total load.</p>	<p>X Element Tech Base (2 USB + 1-120V convenience outlet) 8" (200 mm) diameter. One USB port and one three-pronged outlet. 8 Amps maximum total load.</p>
		
<p>C Clamp For grommet or edge mount. Fits surfaces up to 2" (50 mm) thick and grommet holes 2" (50 mm) wide.</p>	<p>G Clamp with Grommet Cover For grommet holes 2" – 3.25" (50-80 mm) in diameter. Grommet cover ships Black.</p>	<p>T 2-Piece Clamp with Theft Deterrent Requires minimum 1/4" (6 mm) clearance between desk and wall or panel. (Replaces Mount "K")</p>
		
<p>A Humanscale Access Rail</p>	<p>R Direct with Theft Deterrent Screws into horizontal surface. (Replaces Mount "D")</p>	<p>S Universal Slatwall Adjusts to fit most standard slatwalls.</p>
		
<p>U Universal Panel Mount Adjusts to fit most panels that use vertical slotted rails for mounting accessories. Not compatible with corner applications.</p>	<p>E Steelcase C-Scape Mount Kit Ships Silver for all orders.</p>	<p>W Wall Screws into vertical surface.</p>
		
<p>PA Panel Mount for Herman Miller Action Office</p>	<p>PR Panel Mount for Herman Miller Resolve</p>	<p>PI Panel Mount for Teknion IE</p>

NOTE: The above systems are special and do not work with the Universal Panel Mount (U). Not compatible with corner mount applications.

Color Note: All Silver lights ship with Silver mounts. All Black lights ship with Black mounts. All White lights ship with White mounts, except panel mounts (PA, PR, PI), Access Rail (A), and wall mounts (W), which ship Silver.



INFINITY Build Your Product Code



COMPONENT	CODE	DESCRIPTION	LIST PRICE
LINE	NF	Infinity Task Light: 8-Watt LED Technology with Smart Dimmer and Occupancy Sensor	\$914
VERSION	3	3000K	-
PLUG	E	North America	-
MOUNT	B	Desktop Base	\$155
	F	Floor Stand	\$309
	C	Clamp	-
	W	Wall	-
	S	Universal Slatwall	N/A
COLOR <i>Desktop Base, Floor Stand and Clamp Mount ship in matching colors to light. Wall Mount and Universal Slatwall ship in polished aluminum only.</i>	B	Ash Black, Semi-Matte	-
	W	Linen White, Semi-Matte	-

W / S

W - Screws into vertical surface.
S - Fits into standard slatwalls

C

0.75" (19 mm) - 3.5" (89 mm)

F

37.5" (950 mm) height

B

10.5" (265 mm) diameter

Infinity Accessories

CODE	DESCRIPTION	LIST PRICE
INCABLE	Power cord extension for Infinity Floor Lamp, 3.3 ft (1m)	\$16

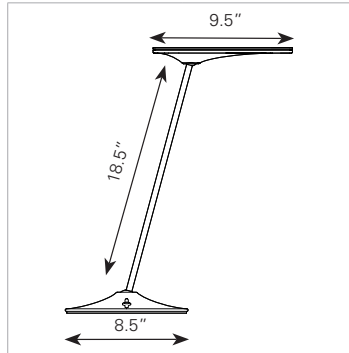
Infinity Replacement Parts (if purchased seperately)

CODE	DESCRIPTION	LIST PRICE
NFBB	Infinity Desktop Base, Ash Black	\$162
NFBW	Infinity Desktop Base, Linen White	\$162
NFCB	Infinity Clamp, Adjustable, Ash Black	\$81
NFCW	Infinity Clamp, Adjustable, Linen White	\$81
NFFB	Infinity Floor Stand, Ash Black	\$323
NFFW	Infinity Floor Stand, Linen White	\$323
NFWP	Infinity Wall Mount, Natural	\$81
NFSP	Infinity Universal Slatwall, Natural	\$81
PLUGE	PS2475NA Light Power Suply 24V .75A US CAN	\$51



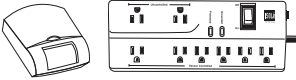
HORIZON 2.0

Build Your Product Code



COMPONENT	CODE		LIST	
STYLE	H2B	Horizon 2.0 Light	\$745	
PLUG	E	North America	-	
COLOR	L	Twilight Blue (high gloss)	-	
	Z	Bronze Gold (semi-matte)	-	
	K	Morning Pink (light pink) (high gloss)	-	
	B	Jet Black (semi-matte)	-	
	W	Artic White (high gloss)	-	
	S	Silver (semi-matte)	-	



GENERAL LIGHTING ACCESSORIES	
OCCUPANCY SENSOR POWER STRIP	
	OCCSTRIP \$559
8-outlet power strip with energy-saving personal occupancy sensor	
PLUGS	
PS2475NA Light Power Suply 24V .75A US CAN	\$51

NOTE:
For all other mount styles (non-base), see Element Light Replacement Parts on the previous page.

NOVA

Build Your Product Code




COMPONENT	CODE		LIST	
STYLE	NV	Nova Task Light	\$803	
COLOR TEMPERATURE	3	3000 K	-	
	4	4000 K	-	
PLUG	E	North America	-	
MOUNT	C	Clamp	-	
	Y	Charging Desktop Base*	\$121	
	Q	Wireless Charging Desktop Base	\$231	
	B	Desktop Base	\$75	
COLOR	W	Wall Mount	-	
	G	Light Grey, Matte	-	
	B	Jet Black, Matte	-	
	W	Arctic White	-	

*Charging Desktop Base available in Arctic White and Jet Black only

Nova Replacement Parts (if purchased separately)

CODE	DESCRIPTION	LIST PRICE
NVYB	Nova Charging Desktop Base, Jet Black	\$263
NVYW	Nova Charging Desktop Base, Arctic White	\$263
NVQB	Nova Wireless Charging DT Base NA, Black	\$349
NVQG	Nova Wireless Charging DT Base NA, Gray	\$349
NVQW	Nova Wireless Charging DT Base NA, White	\$349
NVBB	Nova Desktop Base, Jet Black	\$138
NVBW	Nova Desktop Base, Arctic White	\$138
NVBG	Nova Desktop Base, Light Gray	\$138
NVCB	Nova Clamp Mount, Jet Black	\$56
NVCW	Nova Clamp Mount, Arctic White	\$56
NVCG	Nova Clamp Mount, Light Gray	\$56
NVWB	Nova Wall Mount, Jet Black	\$56
NVWW	Nova Wall Mount, Arctic White	\$56
NWWG	Nova Wall Mount, Light Gray	\$56
PLUGE	PS2475NA Light Power Suply 24V .75A US CAN	\$51





M2.1 / M8.1 / M10 Monitor Arms

In today's fast-paced, fully connected digital world, there's no time for discomfort. Humanscale's next generation monitor arm line instantly personalizes any workspace for improved comfort, health and productivity.

Designed for unprecedented adaptability in the agile workspace, our monitor arms focus on sustainability and the use of technology, while featuring ultra-sleek aesthetics and a reduced cost of ownership.

M2.1 / M8.1 / M10 Build Your Product Code

COMPONENT	CODE		M2.1		M8.1		M10	
			LIST		LIST		LIST	
Monitor Arm	M21	M2.1 Monitor Arm						
	M81	M8.1 Monitor Arm						
	M10	M10 Monitor Arm						
Base Style	NT	Base without Technology						
	M2	M/Connect 2						
	M3	M/Connect 3						
	NM	No Mount						
Base Version	1	M/Power Charging Hub	\$358		\$358		\$358	
	2	USB Data Hub	\$408		\$408		\$408	
	3	Pro Dock	\$1,050		\$1,050		\$1,050	
	-	M/Connect 2	\$1,104		\$1,104		\$1,104	
	N	No Technology	\$89		\$131		\$131	
	0	No Mount	\$0		\$0		\$0	
Mounting Option <i>See additional Mount codes on the following pages</i> <i>12" Links and Triple Links are not permitted with M10 when a technology base is selected.</i>	C	Clamp Mount	\$69		\$69		\$69	
	B	Bolt Through	\$69		\$69		\$69	
	2	12mm Sliding Desk Clamp	\$69		\$69		\$69	
	8	18mm Sliding Desk Clamp	\$69		\$69		\$69	
	5	25mm Sliding Desk Clamp	\$69		\$69		\$69	
	0	30mm Sliding Desk Clamp	\$69		\$69		\$69	
	S	Universal Slatwall Mount	\$58		\$42		\$42	
	H	Direct Hardwall Mount	\$58		\$42		\$42	
	D	Clamp and Bolt Thru Mount Combo	\$124		\$120		\$120	
	F	Frame One Mount	\$69		\$27		\$27	
	A	c:Scape Mount	\$69		\$27		\$27	
	N	No Mount	\$0		\$0		\$0	
Arm Color	S	Silver with Gray Trim						
	W	Polished Aluminum with White Train						
	B	Black with Black Trim						
Arm Style <i>See additional Link codes on the following pages.</i> <i>Ships unassembled, link order not a factor.</i>	N	No Arm Link	--		--		--	
	D	Dynamic Link	\$226		\$383		\$473	
	B	Angled/Dynamic Links	\$298		\$530		\$618	
	C	4" Straight/Dynamic Links	\$292		\$557		\$645	
	E	8" Straight/Dynamic Links	\$305		\$583		\$672	
	F	12" Straight/Dynamic Links	\$331		\$609		\$697	
	G	4" Straight/8" Straight Links	\$147		\$345		\$345	
	H	4" Straight/12" Straight Links	\$173		\$371		\$371	
	J	8" Straight/8" Straight Links	\$158		\$371		\$371	
	K	8" Straight/12" Straight Links	\$184		\$397		\$397	
	L	12" Straight/12" Straight Links	\$213		\$423		\$423	
	M	4" Straight/Angled/Dynamic Links	\$365		\$689		\$776	
	P	4" Straight/8" Straight/Dynamic Links	\$371		\$742		\$830	
	Q	4" Straight/12" Straight/Dynamic Links	\$397		\$717		\$856	
	R	4" Straight/8" Straight/12" Straight Links	\$251		\$557		\$557	
	4	4" Straight Link	\$66		\$158		\$158	
	8	8" Straight Link	\$80		\$184		\$184	
	1	12" Straight Link	\$106		\$213		\$213	
	S	Angled/4" Straight Links	\$140		\$305		\$305	
	T	Angled/8" Straight Links	\$152		\$331		\$331	
U	Angled/12" Straight Links	\$179		\$357		\$357		

M2.1 / M8.1 / M10 Build Your Product Code (cont'd)

COMPONENT	CODE		M2.1		M8.1		M10	
			LIST		LIST		LIST	
Arm Style (cont'd)	V	4"/4" Straight Links	\$131		\$318		\$318	
	W	Angled/4"/4" Straight Links	\$205		\$465		\$465	
	Y	Angled/8"/4" Straight Links	\$218		\$490		\$490	
	Z	Angled/12"/4" Straight Links	\$245		\$517		\$517	
	2	4"/4"/Dynamic Links	\$357		\$715		\$803	
	3	4"/4"/4" Straight Links	\$200		\$478		\$478	
	5	8"/4"/4" Straight Links	\$213		\$504		\$504	
	7	12"/4"/4" Striaight Links	\$239		\$530		\$530	
	9	8"/8"/4" Straight Links	\$226		\$530		\$530	
End Style <i>*Sliders and Crossbars only available in Silver and Black.</i>	N	No End (Only available with No Arm Link)	-		-		-	
	T	Standard Monitor Tilt (one per monitor)	\$92		\$131		\$131	
	S	Slider for Single Monitor	\$211		\$211		N/A	
	2	Crossbar for 2 Monitors	N/A		\$371		N/A	
	H	Crossbar for 2 Monitors with Handle	N/A		\$504		N/A	
	3	Crossbar for 3 Monitors	N/A		N/A		\$547	
VESA <i>*178mm (7") max height; 10-32mm (0.4"-1.25") thickness range</i> <i>**202mm (7.95") max height; 40-50mm (1.6"-1.95") thickness range</i>	N	No VESA Plate	-		-		-	
	G	Standard 100mm x 100mm, gray	-		-		-	
	B	Standard 100mm x 100mm, black	-		-		-	
	W	Standard 100mm x 100mm, white	-		-		-	
	Y	100mm x 200mm, gray	\$40		\$40		\$40	
	K	100mm x 200mm, black	\$40		\$40		\$40	
	J	200mm x 200mm, black	\$56		\$56		\$56	
	D	Dell QA VESA Plate, black	\$40		\$40		\$40	
	R	Dell QA VESA Plate, gray	\$40		\$40		\$40	
	O	Offset VESA Plate, black	\$40		\$40		\$40	
	S	Offset VESA Plate, gray	\$40		\$40		\$40	
	A	Adapter Bracket, black	\$40		\$40		\$40	
	Z	Adapter Bracket, gray	\$40		\$40		\$40	
	U	UFEA	\$210		\$210		\$210	
	H	Single Monitor Handle on Accessories Bracket, black	\$167		\$167		\$167	
	E	Single Monitor Handle on Accessories Bracket, gray	\$167		\$167		\$167	
	M	*Medium Thin Client Holder, black	N/A		\$158		\$158	
	T	*Medium Thin Client Holder, gray	N/A		\$158		\$158	
	L	**Large Thin Client Holder, black	N/A		\$167		\$167	
	C	**Large Thin Client Holder, gray	N/A		\$167		\$167	
Plug Style	NA	North America						
	EU	Europe						
	UK	United Kingdom						
	AU	Australia						
	SP	Singapore						
	CH	China						
	HK	Hong Kong						
	ID	Indonesia						
	NZ	New Zealand						
	MX	Mexico						
	JP	Japan						
	SK	South Korea						

..... Only available with **M/Connect**

M/Flex Build Your Product Code

COMPONENT	CODE		M2.1		M8.1		M10	
			LIST		LIST		LIST	
Monitor Arm	X2	MFlex for M2.1 Arm						
	X8	MFlex for M8.1 Arm						
	X1	MFlex for M10 Arm						
Base Style	NT	Base without Technology						
	M2	M/Connect 2						
	M3	M/Connect 3						
	NM	No Mount						
Base Version	1	M/Power Charging Hub	\$358		\$358		\$358	
	2	USB Data Hub	\$408		\$408		\$408	
	3	Pro Dock	\$1,050		\$1,050		\$1,050	
	-	M/Connect 2	\$1,078		\$1,078		\$1,078	
	N	No Technology	\$89		\$131		\$131	
	0	No Mount	\$0		\$0		\$0	
	Mounting Option <i>See additional Mount codes on the following pages</i> <i>12" Links and Triple Links are not permitted with M10 when a technology base is selected.</i>	C	Clamp Mount	\$69		\$69		\$69
B		Bolt Through	\$69		\$69		\$69	
2		12mm Sliding Desk Clamp	\$69		\$69		\$69	
8		18mm Sliding Desk Clamp	\$69		\$69		\$69	
5		25mm Sliding Desk Clamp	\$69		\$69		\$69	
0		30mm Sliding Desk Clamp	\$69		\$69		\$69	
D		Clamp and Bolt Thru Mount Combo	\$124		\$120		\$120	
F		Frame One Mount	\$69		\$27		\$27	
A		c:Scape Mount	\$69		\$27		\$27	
N		No Mount	\$0		\$0		\$0	
Bracket <i>- 2 is only available with mounts CM, BT, DM, C2, C8, C5 and C0</i> <i>- G is only available with M/Connect 2</i>	N	No Bracket	-		-		-	
	A	Dual Bracket for 1 Monitor	\$172		\$266		\$266	
	B	Dual Bracket for 2 Monitors	\$172		\$266		\$266	
	C	Triple Bracket for 3 Monitors	\$242		\$310		\$310	
	D	Single Monitor Bracket for 1 Monitor	\$125		\$163		\$163	
	E	Two Single Monitor Brackets for 2 Monitors	\$250		\$326		\$326	
	F	Three Single Monitor Brackets for 3 Monitors	\$376		\$487		\$487	
	2	Dual Base Bracket without Post for 2 Monitors	\$127		N/A		N/A	
	G	Dual Tech Base Bracket without Post for 2 Monitors	\$0		N/A		N/A	
Arm Color	S	Silver with Gray Trim						
	W	Polished Aluminum with White Trim						
	B	Black with Black Trim						
Arm Style <i>See additional Link codes on the following pages.</i> <i>Ships unassembled, link order not a factor.</i> <i>If selecting multiple arms, repeat Arm Style Steps 1, 2 and 3 for each arm</i>	N	No Arm Links	-		-		-	
	D	Dynamic Link	\$226		\$383		\$473	
	B	Angled/Dynamic Links	\$298		\$530		\$618	
	4	4" Straight Link	\$66		\$158		\$158	
	8	8" Straight Link	\$80		\$184		\$184	
	1	12" Straight Link	\$106		\$213		\$213	
	S	Angled/4" Straight Links	\$140		\$305		\$305	
	T	Angled/8" Straight Links	\$152		\$331		\$331	
	U	Angled/12" Straight Links	\$179		\$357		\$357	
	V	4"/4" Straight Links	\$131		\$318		\$318	
	W	Angled/4"/4" Straight Links	\$205		\$465		\$465	
	Y	Angled/8"/4" Straight Links	\$218		\$490		\$490	
	Z	Angled/12"/4" Straight Links	\$245		\$517		\$517	

M/Flex Build Your Product Code (cont'd)

COMPONENT	CODE		M2.1		M8.1		M10	
			LIST		LIST		LIST	
Arm Style (cont'd)	2	4"/4"/Dynamic Links	\$357		\$715		\$803	
	3	4"/4"/4" Straight Links	\$200		\$478		\$478	
	5	8"/4"/4" Straight Links	\$213		\$504		\$504	
	7	12"/4"/4" Straight Links	\$239		\$530		\$530	
	9	8"/8"/4" Straight Links	\$226		\$530		\$530	
	C	4" Straight/Dynamic Links	\$292		\$557		\$645	
	E	8" Straight/Dynamic Links	\$305		\$583		\$672	
	F	12" Straight/Dynamic Links	\$331		\$609		\$697	
	G	4" Straight/8" Straight Links	\$147		\$345		\$345	
	H	4" Straight/12" Straight Links	\$173		\$371		\$371	
	J	8" Straight/8" Straight Links	\$158		\$371		\$371	
	K	8" Straight/12" Straight Links	\$184		\$397		\$397	
	L	12" Straight/12" Straight Links	\$213		\$423		\$423	
	M	4" Straight/Angled/Dynamic Links	\$365		\$689		\$776	
	P	4" Straight/8" Straight/Dynamic Links	\$371		\$742		\$830	
	Q	4" Straight/12" Straight/Dynamic Links	\$397		\$717		\$856	
	R	4" Straight/8" Straight/12" Straight Links	\$251		\$557		\$557	
End Style <i>*Sliders and Crossbars only available in Silver and Black.</i>	N	No Tilt	-		-		-	
	T	Monitor Tilt (one per monitor)	\$92		\$131		\$131	
	S	Slider for Single Monitor	\$211		\$211		N/A	
	2	Crossbar for 2 Monitors	N/A		\$371		\$371	
	H	Crossbar for 2 Monitors with Handle	N/A		\$504		\$504	
Vesa <i>*178mm (7") max height; 10-32mm (0.4"-1.25") thickness range</i> <i>**202mm (7.95") max height; 40-50mm (1.6"-1.95") thickness range</i>	N	No VESA Plate	-		-		-	
	G	100mm x 100mm, gray	-		-		-	
	B	100mm x 100mm, black	-		-		-	
	W	100mm x 100mm, white	-		-		-	
	Y	100mm x 200mm, gray	\$40		\$40		\$40	
	K	100mm x 200mm, black	\$40		\$40		\$40	
	U	UFEA	\$210		\$210		\$210	
	J	200mm x 200mm, black	\$56		\$56		\$56	
	D	Dell QA VESA Plate, black	\$40		\$40		\$40	
	R	Dell QA VESA Plate, gray	\$40		\$40		\$40	
	O	Offset VESA Plate, black	\$40		\$40		\$40	
	S	Offset VESA Plate, gray	\$40		\$40		\$40	
	A	Adapter Bracket, black	\$40		\$40		\$40	
	Z	Adapter Bracket, gray	\$40		\$40		\$40	
	H	Single Monitor Handle on Accessories Bracket, black	\$167		\$167		\$167	
	E	Single Monitor Handle on Accessories Bracket, gray	\$167		\$167		\$167	
	M	*Medium Thin Client Holder, black	\$158		\$158		\$158	
T	*Medium Thin Client Holder, gray	\$158		\$158		\$158		
L	**Large Thin Client Holder, black	\$167		\$167		\$167		
C	**Large Thin Client Holder, gray	\$167		\$167		\$167		
Post	NP	No Post	-		-		-	
	12	12" High Post	\$71		\$71		\$71	
	18	18" High Post	\$125		\$125		\$125	
	24	24" High Post	\$143		\$143		\$143	
	30	30" High Post (not available for use with technology bases)	\$196		\$196		\$196	
	36	36" High Post (not available for use with technology bases)	\$250		\$250		\$250	

M/Flex Build Your Product Code (cont'd)

			M2.1		M8.1		M10	
COMPONENT	CODE		LIST		LIST		LIST	
Plug Style	NA	North America						
	EU	Europe						
	UK	United Kingdom						
	AU	Australia						
	SP	Singapore						
	CH	China						
	HK	Hong Kong	<i>Only available with M/Connect</i>					
	ID	Indonesia						
	NZ	New Zealand						
	MX	Mexico						
	JP	Japan						
	SK	South Korea						



M/Flex Add Ons

COMPONENT	CODE		M2.1		M8.1		M10		
			LIST	MAP	LIST	MAP	LIST	MAP	
PRODUCT GROUP	AX2	M/Flex Add-Ons for M2.1 Monitor Arm	-		N/A		N/A		
	AX8	M/Flex Add-Onsfor M8.1 Monitor Arm	N/A		-		N/A		
	AX1	M/Flex Add-Ons for M10 Monitor Arm	N/A		N/A		-		
BRACKET STYLE	S	Smart Stop Only	-		-		-		
	C	Bracket For 3rd Monitor	\$62		\$87		\$87		
MOUNT	NM	No Mount	-		-		-		
COLOR	S	Silver with Gray Trim	-		-		-		
	W	Polished Aluminum with White Trim	-		-		-		
	B	Black with Black Trim	-		-		-		
Arm Style Step 1	N	No Arm Link	-		-		-		
Link Selection *see additional Link codes on the following pages **Ships unassembled, link order not a factor	D	Dynamic Link	\$226		\$383		\$473		
	B	Angled Link/Dynamic Link	\$298		\$530		\$618		
	C	4" Straight Link/Dynamic Link	\$292		\$557		\$645		
	E	8" Straight Link/Dynamic Link	\$305		\$583		\$672		
	F	12" Straight Link/Dynamic Link	\$331		\$609		\$697		
	G	4" Straight Link/8" Straight Link	\$147		\$345		\$345		
	H	4" Straight Link/12" Straight Link	\$173		\$371		\$371		
	J	8" Straight Link/8" Straight Link	\$158		\$371		\$371		
	K	8" Straight Link/12" Straight Link	\$184		\$397		\$397		
	L	12" Straight Link/12" Straight Link	\$213		\$423		\$423		
	M	4" Straight Link/Angled Link/Dynamic Link	\$365		\$689		\$776		
	P	4" Straight Link/8" Straight Link/Dynamic Link	\$371		\$742		\$830		
	Q	4" Straight Link/12" Straight Link/Dynamic Link	\$397		\$717		\$856		
	R	4" Straight Link/8" Straight Link/12" Straight Link	\$251		\$557		\$557		
Arm Style Step 2	N	No End (Only available with No Arm Link)	-		-		-		
End Style Selection	T	Standard Monitor Tilt (one per monitor)	\$92		\$131		\$131		
	S	Slider For Single Monitor	\$211		\$211		N/A		
	2	Crossbar for 2 monitors	N/A		\$371		\$371		
	H	Crossbar for 2 monitors, with Handle	N/A		\$504		\$504		
Arm Style Step 3 VESA Bracket Selection	N	No VESA Plate	-		-		-		
	G	Standard 100mm x 100mm, gray	-		-		-		
	B	Standard 100mm x 100mm, black	-		-		-		
	W	Standard 100mm x 100mm, white	-		-		-		
	Y	100mm x 200mm, gray	\$40		\$40		\$40		
	K	100mm x 200mm, black	\$40		\$40		\$40		
	J	200mm x 200mm, black	\$56		\$56		\$56		
	D	Dell QA VESA Plate, black	\$40		\$40		\$40		
	R	Dell QA VESA Plate, gray	\$40		\$40		\$40		
	O	Offset VESA Plate, black	\$40		\$40		\$40		
	S	Offset VESA Plate, gray	\$40		\$40		\$40		
	A	Adapter Bracket, black	\$40		\$40		\$40		
	Z	Adapter Bracket, gray	\$40		\$40		\$40		
	*178 mm (7") max height 10-32 mm (0.4" - 1.25") thickness range	H	Single Monitor Handle On Accessories Bracket, Black	\$167		\$167		\$167	
		E	Single Monitor Handle On Accessories Bracket, Gray	\$167		\$167		\$167	
		M	Medium* Thin Client Holder, Black	N/A		\$158		\$158	
	** 202 mm (7.95") max height 40-50 mm (1.6" - 1.95") thickness range	T	Medium* Thin Client Holder, Gray	N/A		\$158		\$158	
L		Large** Thin Client Holder, Black	N/A		\$167		\$167		
C		Large** Thin Client Holder, Gray	N/A		\$167		\$167		
POST HEIGHT	NP	No Post	-		-		-		



Monitor Arm Conversion Kits & Accessories

COMPONENT	CODE		LIST PRICE
MOUNTS	M21CM-x	M2.1 Clamp Mount with Base	\$158
	M81CM-x	M8.1 Clamp Mount with Base	\$200
	M10CM-x	M10 Clamp Mount with Base	\$200
	MF1CM-x	MFlex.1 Clamp Mount with Base	\$158
	MD21CM-x	Dual M2.1 Clamp Mount With Base	\$292
	M21BT-x	M2.1 Bolt Mount with Base	\$92
	M81BT-x	M8.1 Bolt Mount with Base	\$147
	M10BT-x	M10 Bolt Mount with Base	\$147
	MF1BT-x	MFlex.1 Bolt Mount with Base	\$92
	M21SM-x	M2.1 Slatwall Mount with Base	\$147
	M81SM-x	M8.1 Slatwall Mount with Base	\$173
	M10SM-x	M10 Slatwall Mount with Base	\$173
	M21HW-x	M2.1 Direct Wall Mount with Base	\$147
	M81HW-x	M8.1 Direct Wall Mount with Base	\$173
	M10HW-x	M10 Direct Wall Mount with Base	\$173
	M21CS-x	M2.1 C:Scape Mount with Base	\$158
	M81CS-x	M8.1 C:Scape Mount with Base	\$158
	M10CS-x	M10 C:Scape Mount with Base	\$158
	MF1CS-x	MFlex.1 C:Scape Mount with Base	\$158
	M21F1-x	M2.1 Frame One Mount with Base	\$158
	M81F1-x	M8.1 Frame One Mount with Base	\$158
	M10F1-x	M10 Frame One Mount with Base	\$158
	MF1F1-x	MFlex.1 Frame One Mount with Base	\$158
	M21C2-x	M2.1 12 mm Sliding Desk Clamp Mount with Base	\$158
	M81C2-x	M8.1 12 mm Sliding Desk Clamp Mount with Base	\$200
	M10C2-x	M10 12 mm Sliding Desk Clamp Mount with Base	\$200
	MF1C2-x	MFlex.1 12 mm Sliding Desk Clamp Mount with Base	\$158
	M21C8-x	M2.1 18 mm Sliding Desk Clamp Mount with Base	\$158
	M81C8-x	M8.1 18 mm Sliding Desk Clamp Mount with Base	\$200
	M10C8-x	M10 18 mm Sliding Desk Clamp Mount with Base	\$200
	MF1C8-x	MFlex.1 18 mm Sliding Desk Clamp Mount with Base	\$158
	M21C5-x	M2.1 25 mm Sliding Desk Clamp Mount with Base	\$158
	M81C5-x	M8.1 25 mm Sliding Desk Clamp Mount with Base	\$200
	M10C5-x	M10 25 mm Sliding Desk Clamp Mount with Base	\$200
	MF1C5-x	MFlex.1 25 mm Sliding Desk Clamp Mount with Base	\$158
	M21C0-x	M2.1 30 mm Sliding Desk Clamp Mount with Base	\$158
	M81C0-x	M8.1 30 mm Sliding Desk Clamp Mount with Base	\$200
	M10C0-x	M10 30 mm Sliding Desk Clamp Mount with Base	\$200
	MF1C0-x	MFlex.1 30 mm Sliding Desk Clamp Mount with Base	\$158



Monitor Arm Conversion Kits & Accessories (cont.)

COMPONENT	CODE		LIST PRICE
CONVERSION KITS	M21SLDR-S-x-y	M2.1 slider Conversion Kit. Converts End Style To Slider For Dynamic Arm.	\$211
	M21SLDR-T-x-y	M2.1 slider Conversion Kit. Converts End Style To Slider For Fixed Arm.	\$211
	M21TILTS-x	M 2.1 Tilt Conversion Kit. Converts End Style To Tilt Mechanism For Dynamic Arm.	\$92
	M21TILT-T-x	M2.1 Tilt Conversion Kit. Converts End Style To Tilt Mechanism For Fixed Arm.	\$92
	M81SLDR-S-x-y	M8.1/M10 slider Conversion Kit. Converts End Style To Slider For Dynamic Arm.	\$211
	M81SLDR-T-x-y	M8.1/M10 slider Conversion Kit. Converts End Style To Slider For Fixed Arm.	\$211
	M81CB-S-x-y	M8.1/M10 Crossbar Conversion Kit. Converts End Style To Dual Crossbar For Dynamic Arm.	\$371
	M81CB-T-x-y	M8.1/M10 Crossbar Conversion Kit. Converts End Style To Dual Crossbar For Fixed Arm.	\$371
	M81TILTS-x	M8.1/M10 Tilt Conversion Kit. Converts End Style To Tilt Mechanism For Dynamic Arm.	\$131
	M81TILT-T-x	M8.1/M10 Tilt Conversion Kit. Converts End Style To Tilt Mechanism For Fixed Arm.	\$131
	M10CB-S-x-y	M10 Crossbar Conversion Kit. Converts End Style To Triple Crossbar For Dynamic Arm.	\$547
	M10CB-T-x-y	M10 Crossbar Conversion Kit. Converts End Style To Triple Crossbar For Fixed Arm.	\$547
	M10TILTS-x	M10 Tilt Conversion Kit. Converts End Style To Tilt Mechanism For Dynamic Arm.	\$131
	M10TILT-T-x	M 10 Tilt Conversion Kit. Converts End Style To Tilt Mechanism For Fixed Arm.	\$131
HANDLES <i>*Black & Silver Only</i>	SMHA-x	Single Monitor Handle For M2.1, M8.1 or M10. Includes Accessories Bracket.	\$167
	M81CBH-x	M8.1 Horizontal Crossbar Handle (Fits Dual)	\$131
	M10CBH-x	M10 Horizontal Crossbar Handle (Fits Dual)	\$131
VESA PLATES <i>*Black & Silver Only</i> <i>**Black only</i>	VESA1-11-x	100 x 100mm VESA Plate for M2.1, M8.1 and M10	\$40
	VESA1-12-x	100 x 200mm VESA Plate for M2.1, M8.1 and M10*	\$58
	VESA1-22-x	200 x 200mm VESA Plate for M2.1, M8.1 and M10**	\$71
	VESA1-D-x	Dell Quick Release VESA Plate for M2.1, M8.1 and M10*	\$46
	VESA1-OVP-x	Offset VESA Plate for M2.1, M8.1 and M10*	\$64
	VESA1-A-B	Adapter VESA Bracket for M2.1, M8.1 and M10. Converts Mx.1 Tilt To M2 or M8 Tilt.**	\$53
UFEA	UFEA1TILTS	UFEA1.1 with Standard tilt and Rotational VESA bracket	\$210
	UFEA1TURS	UFEA1.1 with Fixed mount (for turret tilts only) and Rotational VESA bracket	\$210
	UFEA1BJNTS	UFEA1.1 with Legacy adapter (for M2.0/M8.0 only) and Rotation VESA bracket	\$210
THIN CLIENT HOLDERS	VESA1-MTC-x	Medium Thin Client Holder for M8.1 and M10** <i>178 mm (7") max height 10-32 mm (0.4" – 1.25") thickness range</i>	\$158
	VESA1-LTC-x	Large Thin Client Holder for M8.1 and M10** <i>202 mm (7.95") max height 40-50 mm (1.6" – 1.95") thickness range</i>	\$167
NOTEBOOK HOLDERS	NH1-x	Notebook Holder for M2.1, M8.1 and M10	\$318
ACCESSORY HOLDER <i>*Black & Silver Only</i>	SMAHHA-x	Accessory Holder + Handle + Universal Accessory Bracket	\$263
	SMAH-x	Accessory Holder + Universal Accessory Bracket	\$130
	SMAHK-x	Accessory Holder Kit to retrofit setup containing the Universal Accessory Bracket & Handle	\$95
ZERO DEGREE STOP RING	M81ZDR	M8.1/M10 Zero Degree Stop Ring - Insert ring into arm joint to fix arm at a specific angle.	\$7
	M21ZDR	M2.1 Zero Degree Stop Ring - Insert ring into arm joint to fix arm at a specific angle.	\$5

NOTE: x denotes component color and y denotes arm color



M/Connect 2 Stand Alones and Retrofits

COMPONENT	CODE		LIST PRICE
PRODUCT	A	M/Connect 2 - 100W	\$1,078
MOUNT	C	Clamp	-
	2	12mm Sliding Desk Clamp	-
	8	18mm Sliding Desk Clamp	-
	5	25mm Sliding Desk Clamp	-
	0	30mm Sliding Desk Clamp	-
	N	No Mount	-
	ARM STYLE <i>** Not available with the bolt mount</i>	2-	M2
8-		M8	\$43
MF		M/Flex	\$43
21		M2.1**	\$43
81		M8.1**	\$43
2D		M2.1 Dual Desk Mount	\$43
N-		Stand Alone (Not Available with "B – Bolt-Thru" Mount)	-
COLOR	S	Silver with Gray Trim	-
	W	Polished Aluminum with White Trim	-
	B	Black with Black Trim	-
POWER CORD PLUG STYLE	NA	North America	-
	EU	Europe	-
	UK	United Kingdom	-
	AU	Australia	-
	SP	Singapore	-
	CH	China	-
	HK	Hong Kong	-
	ID	Indonesia	-
	NZ	New Zealand	-
	MX	Mexico	-
	JP	Japan	-
	SK	South Korea	-

*..... Only available with **M/Connect***

**M/Connect 1 is only available with Clamp Mount, and is not available with M2.1, M8.1, M10 or stand alone.*

M/Connect 2 Retrofit Parts

CODE	DESCRIPTION (Dock to Monitor)	LIST PRICE
MC2USCB	MC2 Upstream Cable, Black	\$90
MC2USCG	MC2 Upstream Cable, Gray	\$90
MC2USCW	MC2 Upstream Cable, White	\$90
MC2NAPAB	MC2 Power Adapter, 100W, Black	\$300
MC2NAPAB	MC2 Power Adapter, 100W, Gray	\$300
MC2NAPAB	MC2 Power Adapter, 100W, White	\$300
MC2HUBB	MC2 100W Top Hub, Black	\$415
MC2HUBG	MC2 100W Top Hub, Gray	\$415
MC2HUBW	MC2 100W Top Hub, White	\$415
MC2DOCKB	MC2 Bottom Dock, Black	\$600

NOTE: These parts are specific to new modular M/Connect 2

M/Connect Monitor Cables

CODE	DESCRIPTION (Dock to Monitor)	LIST PRICE
CA-DPHD	Replacement Cable, DisplayPort to HDMI	\$45
CA-HDDV	Replacement Cable, HDMI to DVI	\$21
CA-DPDV	Replacement Cable, DisplayPort to DVI	\$51
CA-DPDP	Replacement Cable, DisplayPort to DisplayPort <i>(Max resolution is 2560 x 1400)</i>	\$36
CA-HDHD	Replacement Cable, HDMI to HDMI	\$20

NOTE: First listed cable is the M/Connect dock end, second listed cable is monitor end. CA-DPHD cannot be used with HDMI plugged into M/Connect dock.



M/Connect 3 Stand Alones and Retrofits

COMPONENT	CODE		LIST PRICE
PRODUCT	T	Technology M2/M3 Configurator	-
STYLE	M3	M/Connect 3	-
VERSION	1	M/Power Charging Hub	\$358
	2	USB Data Hub	\$408
	3	Pro Dock	\$1,050
MOUNT	C	Clamp Mount	\$26
	B	Bolt Through	\$26
	2	12mm Sliding Desk Clamp	\$26
	8	18mm Sliding Desk Clamp	\$26
	5	25mm Sliding Desk Clamp	\$26
	0	30mm Sliding Desk Clamp	\$26
	N	No Mount	\$26
	R	RetroFit <i>*Already has Modular Base</i>	-
ARM STYLE	21	M21	\$43
	81	M81/M10	\$43
	MF	Mflex	\$43
	N-	Stand Alone	-
	2D	M2.1 Dual Desk Mount	\$43
COLOR	S	Silver	-
	W	White	-
	B	Black	-
COUNTRY	NA	North America	-

NOTE: Currently, M/Power Charging Hub must be configured separately from a monitor arm. Be sure to configure arm(s) without a mount (NM) when making configurations that included this tech product.

M/Connect 3 Upgrade Kit

CODE	DESCRIPTION	LIST PRICE
TM3DNN-BNA	MC3 Upgrade Kit, Data Hub to Pro Dock, BL	\$715
TM3DNN-SNA	MC3 Upgrade Kit, Data Hub to Pro Dock, GR	\$715
TM3DNN-WNA	MC3 Upgrade Kit, Data Hub to Pro Dock, WH	\$715





Sit-Stand

Recent research suggests that movement is vital to health. As the pioneer of a healthier, more active workplace, Humanscale has designed innovative sit/stand solutions that encourage users to alternate postures. Ultimately, these products allow users to adopt a healthy and balanced level of activity as they work.

FLOAT Choosing A Worksurface

WORK SURFACE DIMENSIONS

Depth and width dimension is nominal. Depths are 1" less than stated to provide a 1" gap between the work surface and panel. Widths are 2" less than stated to provide a 1" gap on each side of the work surface. The gaps are to facilitate cable management, monitor arms and pinch points in either a panel or open plan work station environment.

1" gap behind work surface

Panel

Work Surface

Work Surface

1" gap on each side of work surface

LAMINATE WORK SURFACES

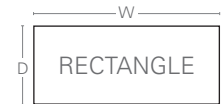
Our high pressure compact environmentally-friendly polypropylene laminate is laminated to either a 3/4" thick particleboard or a 3/4" MDF (medium-density-fibreboard) depending on the edge detail selected. Both work surfaces have a heavy duty back (bottom layer) which is a very thin layer of phenolic. This stops any potential warping. All of our work surfaces are **formaldehyde-free** and manufactured from **FSC (forest stewardship council) certified wood**.

FLOAT Build Your Float Product Code

Step 1: Identify The List Price For Your Float Base

COMPONENT	CODE	DESCRIPTION	LIST PRICE
PRODUCT	FN	Float Table Base	-
BASE COLOR <i>*All color options are Living Product Challenge approved.</i>	S	Silver	-
	W	White	-
	B	Black	-
COUNTERBALANCE ADJUSTER	M	Mounted - <i>can only be ordered with size 42, 43, 62, 63</i>	\$140
	R	Removable	-
SIZE <i>*All size options are Living Product Challenge approved.</i>	42	24" deep x 48" to 56" wide <i>will hold up to a 58" wide work surface</i>	\$2,505
	43	30" deep x 48" to 56" wide	\$2,505
	62	24" deep x 60" to 72" wide	\$2,573
	63	30" deep x 60" to 72" wide	\$2,573
PADDLE POSITION	R	Right-Handed	-
	L	Left-Handed	-

Living Product Challenge approved.



Step 2: Build Your Float Worksurface

COMPONENT	CODE	DESCRIPTION	LIST PRICE
LINE	FTF	Float Worksurface, Rectangular	-
DEPTH (ACTUAL)	24	23" deep	-
	30	29" deep	\$36
WIDTH (ACTUAL)	48	47" wide	\$551
	54	52" wide	\$593
	60	58" wide	\$626
	66	64" wide	\$668
	72	70" wide	\$710
COLOR	WH	White Laminate	-
	GY	Grey Laminate	-
	PL	Platinum Laminate	-
	BL	Black Laminate	-
	OK	White Oak Veneer	\$690
	WN	Walnut Veneer	\$690
	BM	Bamboo (available in 29x58 only)	-

Note:

** All tops are actual 1" less than nominal depth and 2" less than nominal width except the 48" wide top which is 1" less than nominal width to accommodate the base width*

COMPONENT	CODE	DESCRIPTION	LIST PRICE
Accessories	FLC	Float Caster Kit	\$143

EFLOAT GO

Humanscale's latest height-adjustable table, the eFloat Go, is the easiest to use, most cost-effective solution for any sit-to-stand application. It assembles in under 5 minutes and features innovations such as anti-collision technology and quiet motors. With a wide range of sizes, the eFloat Go is as versatile as it is functional.



EFLOAT GO Build Your Float Product Code

Step 1: Identify The List Price For Your eFloat Go Base

COMPONENT	CODE	DESCRIPTION	LIST PRICE
PRODUCT	FG	eFloat Go Table Base	-
COLUMN	12	2-Leg Base, Standard Height - 26.8" h to 46" h	\$1,444
	22	2-Leg Base, Extended Height - 21.5" h to 47.6" h	\$1,444
FEET	24	24" deep Classic Float C-Feet w/glides	-
	30	30" deep Classic Float C-Feet w/glides	-
HAND SWITCH	D	Digital Programmable	-
COLOR	S	Silver	-
	W	White	-
	B	Black	-

Step 2: Identify The List Price For Your eFloat Go Worksurface

COMPONENT	CODE	DESCRIPTION	LIST PRICE
Line	FTR	eFloat Go Worksurface, Rectangular	-
Depth (Actual)	24	23" deep	-
	30	29" deep	\$50
Width (Actual)	48	46" wide	\$789
	54	52" wide	\$850
	60	58" wide	\$899
	66	64" wide	\$959
	72	70" wide	\$1,019
	78	76" wide	\$1,078
	84	82" wide	\$1,138
Color	WH	White Laminate	-
	GY	Grey Laminate	-
	PL	Platinum Laminate	-
	BL	Black Laminate	-
	OK	White Oak Veneer	\$988
	WN	Walnut Veneer	\$988
	BM	Bamboo (available in 23x46 and 29x58 only)	-

Note:

*All tops are actual 1" less than nominal depth and 2" less than nominal width

COMPONENT	CODE	DESCRIPTION	LIST PRICE	MAP
Accessories	FG2CK	eFloat 2 Leg Caster Kit	\$111	\$89



EFLOAT GO

eFloat Go Worksurface - Rectangular for 3-Leg Base

COMPONENT	CODE	DESCRIPTION	LIST PRICE
Line	FTR	eFloat Go Worksurface, Rectangular	-
Depth	24	23" deep	-
	30	29" deep	\$50
	48	46" wide (for Beamless or Standard)	\$789
	54	52" wide	\$850
	60	58" wide	\$899
	66	64" wide	\$959
	72	70" wide	\$1,019
	78	76" wide	\$1,078
	84	82" wide	\$1,138
Color	WH	White Laminate	-
	GY	Grey Laminate	-
	PL	Platinum Laminate	-
	BL	Black Laminate	-
	OK	White Oak Veneer	\$988
	WN	Walnut Veneer	\$988
	BM	Bamboo (available in 23x46 and 29x58 only)	-

Note:

- * All tops are actual 1" less than nominal depth and 2" less than nominal width
- * Bamboo tops are only available in 24x48 and 30x60 nominal sizes

eFloat Worksurface - Return for 3-Leg Base

COMPONENT	CODE	DESCRIPTION	LIST PRICE
Line	FTL	eFloat Go Return Top, Rectangular	-
Depth	24	23" deep	-
	30	29" deep	\$50
Width	18	17" wide	\$669
	24	23" wide	\$709
	30	29" wide	\$750
	36	35" wide	\$789
Color	WH	White Laminate	-
	GY	Grey Laminate	-
	PL	Platinum Laminate	-
	BL	Black Laminate	-
	OK	White Oak Veneer	\$988
	WN	Walnut Veneer	\$988

Note:

- * Return tops attach to front edge of main top with included flat brackets
- * Return depth width plus main top depth equal total width of return side
-Ex. A 30x30 return top attached to a 30x72 main top will create a nominal 60x72 L-top w/30" depth on both sides
- * Return tops are non-handed to create either a left- or right-hand L-top

EFLOAT GO 2.0

Humanscale’s latest height-adjustable table, the eFloat Go, is the easiest to use, most cost-effective solution for any sit-to-stand application. It assembles in under 5 minutes and features innovations such as anti-collision technology and quiet motors. With a wide range of sizes, the eFloat Go is as versatile as it is functional.



EFLOAT GO 2.0

eFloat Go 2.0 2-Leg for Rectangular Top (48" w to 72" w)

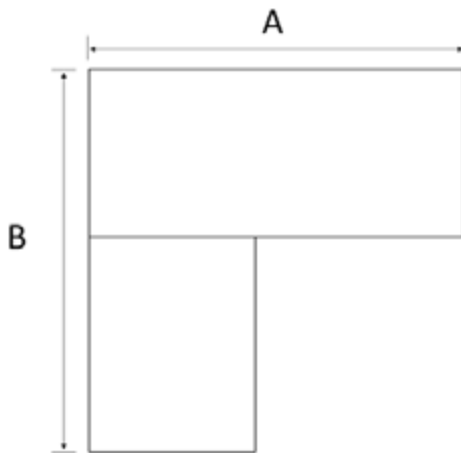
COMPONENT	CODE	DESCRIPTION	LIST PRICE
Line	FYH	eFloat Go 2.0	-
Height Range	12	Standard Height, 27.6" - 46.9"H, 220 lbs.	\$999
Foot Style	T	T Foot with Glides	-
	C	C Foot with Glides	-
Color	B	Black	-
	S	Silver	-
	W	White	-

eFloat Go 2.0, 3-Leg for 90 Degree Top

COMPONENT	CODE	DESCRIPTION	LIST PRICE
Line	FYH3	eFloat Go 2.0, 3-Leg for 90 Degree Top	-
Height Range	12	Standard Height, 27.6" - 46.9"H, 275 lbs.	\$1,769
Foot Style	T	T Foot with Glides	-
Color	B	Black	-
	S	Silver	-
	W	White	-

NOTE:

- Supports worksurface depths of 23-29" (True Dimension)
- eFloat Go 2.0 3-Leg base includes entire 2-leg model FYH12T(B/S/W), with frame of FYH12T(B/S/W) to be placed under return during installation
- eFloat Go 2.0 3-Leg application primary worksurface (A) should not be narrower than 46" or wider than 70" true dimension. Total combined width of accompanying return surface when adjoined to primary surface depth should not exceed 70" wide true dimension (B).
- Ex. A 30x42 return top attach to a 30x72 main top will create a nominal 72x72 L-top w/30" depth on both sides (largest approved size)
- Supports Worksurface Width and Depth (True Dimensions) A. 46" - 70" by B. 46" - 70"



EFLOAT GO 2.0

eFloat Go 2.0 Worksurface (FTG)

COMPONENT	CODE	DESCRIPTION	LIST PRICE
Line	FTG	eFloat Go 2.0 Worksurface, Rectangular	-
Depth	24	23" deep	-
	30	29" deep	\$36
Width	48	46" wide	\$551
	54	52" wide	\$593
	60	58" wide	\$626
	66	64" wide	\$668
	72	70" wide	\$710
Color	WH	White Laminate	-
	GY	Grey Laminate	-
	PL	Platinum Laminate	-
	BL	Black Laminate	-
	OK	White Oak Veneer	\$690
	WN	Walnut Veneer	\$690
	BM	Bamboo (available in 23x46 and 29x58 only)	-

EFLOAT LITE

eFloat Lite focuses on price point and performance. eFloat lite is an easy to assemble height adjustable base created to be an optimal first step for a stand alone desk or multiple desk applications. Each configuration supplies everything you need to assemble your height adjustable table base. Just add your desired work surface to personalize.



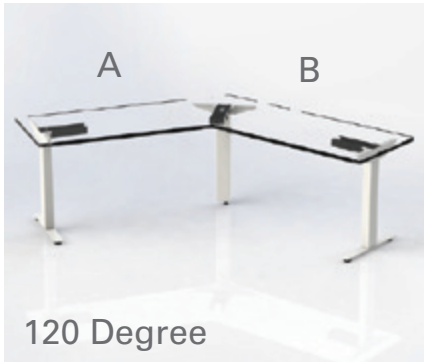
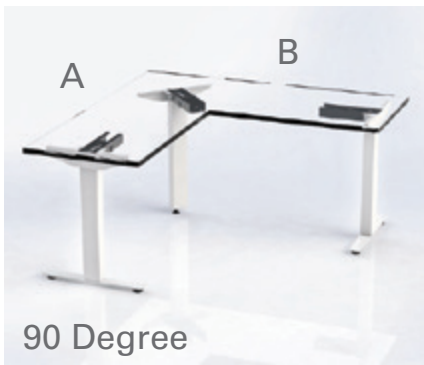
eFloat Lite for Rectangular Top



COMPONENT	CODE	DESCRIPTION	LIST PRICE
Line	FLR	eFloat Lite	-
Height Range	12	Standard Range, 27" to 46", 200lbs Capacity	\$1,231
	22	Dual Stage Low: Extended Range - 21" to 47" -200lbs	\$1,475
Support Bar	A1	None - 1" thick surfaces +	-
	A2	Small - Adjustable Support Bar - 48"-66" Wide	\$120
	A3	Large - Adjustable Support Bar - 66"-84" Wide	\$163
Foot Depth & Style	F2	24" Deep Float T Feet with Glides	\$307
	F3	30" Deep float T Feet with Glides	\$339
	G2	24" Deep Float C Feet with Glides	\$307
	G3	30" Deep Float C Feet with Glides	\$339
Touch Pad	T	Touch Basic Up Down	\$120
	F	Touch Digital Programmable	\$323
Color	BL	Black	-
	SL	Silver	-
	WH	White	-



eFloat Lite for 90 or 120 Degree Top



COMPONENT	CODE	DESCRIPTION	LIST PRICE
Line	FL90	eFloat Lite for 90 or 120 Degree Top	-
Height Range	12	Standard Range, 27" to 46", (base only) 250lbs Capacity	\$2,424
	22	Extended Range - 21" to 47" (base only) -250lbs	\$3,149
Support Bar <i>A and B are the surface dimensions the table base needs to support, not the length of the support bar</i>	A1	None - 1" thick RH or LH side up to 60" Wide	-
	A2	Small Support Bar - RH or LH Sides 60-75" Wide	\$120
	A3	Large Support Bar - RH or LH Sides 79-84" Wide	\$163
	B1	None - 1" + Thick RH or LH side up to 60" Wide	-
	B2	Small Support Bar - RH or LH Sides 60-78" Wide	\$120
	B3	Large Support Bar - RH or LH Sides 79-84" Wide	\$163
Foot Depth & Style	F2	24" Deep Float T Feet with Glides	\$307
	F3	30" Deep float T Feet with Glides	\$339
	FC	24"/30" Deep Combo Float T Feet with Glides	\$323
	G2	24" Deep Float C Feet with Glides	\$307
	G3	30" Deep Float C Feet with Glides	\$339
	GC	24"/30" Deep Combo Float C Feet with Glides	\$323
Touch Pad	T	Touch Basic Up Down	\$120
	F	Touch Programmable	\$323
Color	BL	Black	-
	SL	Silver	-
	WH	White	-

COMPONENT	CODE	DESCRIPTION	LIST PRICE
Accessories	FFCK	Float Foot Locking Caster Kit (QTY 4)	\$163
	FL3K	CAster for 3rd Leg (QTY 1)	\$40

EFLOAT NEXT

eFloat Next, the next generation of electric sit/stand desks, offers advanced technology, versatility, and functionality. Designed for the modern workspace, this table combines quiet motors, anti-collision sensors, and is assembled in the USA. eFloat Next's adjustable frame accommodates a variety of worksurface sizes, and is available in two and three leg configurations, with options for both standard and extended heights.



EFLOAT NEXT

2-LEG, ADJUSTABLE FRAME FOR RECTANGULAR TOP (48"W TO 84"W)

Step 1: Identify The List Price For Your eFloat Next Base

COMPONENT	CODE	DESCRIPTION	LIST PRICE
Line	FXA	eFloat Next, 2-leg, Adjustable Frame (48"w to 84"w)	\$1,847
Height Range	S	Standard Height, 26.53" - 45.78", 250 lbs.	-
	E	Extended Height, 21.65" - 47.64", 250 lbs.	\$231
Foot Style	C	Float C Foot with Glides	-
Foot Depth	24	23"d	-
	30	29"d	\$31
Hand Switch	D	Digital Programmable w/USB	\$65
	U	Basic Up/Down (Not NeatUp Compatible)	-
Color	B	Black	-
	S	Silver (Gray)	-
	W	White	-
	P	Platinum	-

Step 2: Identify The List Price For Your eFloat Next Worksurface

COMPONENT	CODE	DESCRIPTION	LIST PRICE
Line	FTR	eFloat Worksurface, Rectangular	-
Depth	24	23" deep	-
	30	29" deep	\$50
Width	48	46" wide	\$789
	54	52" wide	\$850
	60	58" wide	\$899
	66	64" wide	\$959
	72	70" wide	\$1,019
	78	76" wide	\$1,078
	84	82" wide	\$1,138
Color	WH	White Laminate	-
	GY	Grey Laminate	-
	PL	Platinum Laminate	-
	BL	Black Laminate	-
	OK	White Oak Veneer	\$988
	WN	Walnut Veneer	\$988
	BM	Bamboo (available in 23x46 and 29x58 only)	-

Note:

*All tops are actual 1" less than nominal depth and 2" less than nominal width

COMPONENT	CODE	DESCRIPTION	LIST PRICE
Accessories	FX2CK	eFloat Next, 2-Leg Caster Kit	\$112



EFLOAT NEXT

eFloat Next, 2-Leg, Beamless for Rectangular Top

Step 1: Identify The List Price For Your eFloat Next Base

COMPONENT	CODE	DESCRIPTION	LIST PRICE
Line	FXB	eFloat Next, 2-Leg, Beamless for Rectangular Top	\$1,674
Height Range	S	Standard Height, 26.53" - 45.78", 250 lbs.	-
	E	Extended Height, 21.65" - 47.64", 250 lbs.	\$231
Foot Style	C	Float C Foot with Glides	-
Foot Depth	24	23"d	-
	30	29"d	\$31
Hand Switch	D	Digital Programmable	\$65
	U	Basic Up/Down (Not NeatUp Compatible)	-
Color	B	Black	-
	S	Silver (Gray)	-
	W	White	-
	P	Platinum	-

Step 2: Identify The List Price For Your eFloat Next Worksurface

COMPONENT	CODE	DESCRIPTION	LIST PRICE
Line	FTR	eFloat Worksurface, Rectangular	-
Depth	24	23" deep	-
	30	29" deep	\$50
Width	36	34" wide (for Beamless option only)	\$749
	42	40" wide (for Beamless option only)	\$768
	48	46" wide (for Beamless or Standard)	\$789
Color	WH	White Laminate	-
	GY	Grey Laminate	-
	PL	Platinum Laminate	-
	BL	Black Laminate	-
	OK	White Oak Veneer	\$989
	WN	Walnut Veneer	\$989
	BM	Bamboo (available in 23x46 and 29x58 only)	-

Note:

- * All tops are actual 1" less than nominal depth and 2" less than nominal width
- * Beamless base will support Humanscale worksurfaces up to 48" wide
- * Beamless base will support 3rd Party 1 1/8" thick worksurfaces up to 60" wide

COMPONENT	CODE	DESCRIPTION	LIST PRICE
Accessories	FX2CK	eFloat Next, 2-Leg Caster Kit	\$112

EFLOAT NEXT

eFloat Next for 3-Leg Applications

Step 1: Identify The List Price For Your eFloat Next Base

COMPONENT	CODE	DESCRIPTION	LIST PRICE
Line	FX3	eFloat Next for 3-Leg Applications	\$2,803
Height Range	S	Standard Height, 26.53" - 45.78", 310 lbs.	-
	E	Extended Height, 21.65" - 47.64", 310 lbs.	\$309
Foot Style	C	Float C Foot with Glides	-
Foot Depth	24	23"d	-
	30	29"d	\$31
	CC	One 23"d, One 29"d	\$16
Hand Switch	D	Digital Programmable	\$65
	U	Basic Up/Down (Not NeatUp Compatible)	-
Color	B	Black	-
	S	Silver (Gray)	-
	W	White	-
	P	Platinum	-

COMPONENT	CODE	DESCRIPTION	LIST PRICE
Accessories	FX3CK	eFloat Next, 3-Leg Caster Kit	\$168

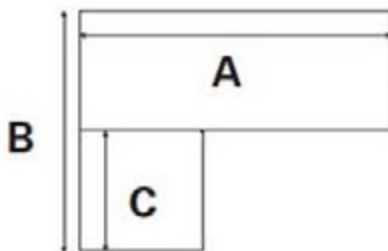
Note:

* Primary worksurface should not be narrower than 46" or wider than 70" true dimension.

Total combined width of accompanying return surface when adjoined to primary surface depth should not exceed 58" wide true dimension.

* Ex. A 30x30 return top attache to a 30x72 main top will create a nominal 60x72 L-top w/30" depth on both sides (largest approved size)

* Supports Worksurface Width and Depth (actual Dimensions) A. 46" - 70" by B. 40" - 58" (Main Worksurface Width: A. 46" - 70"; Return Width C. 17" - 35")



FLOAT MINI

The Float Mini table combines classic residential aesthetics with Humanscale’s world-class ergonomic design system to create a simple and compact solution for both home and work environments. The Float Mini accommodates each users work style in their own space by encouraging natural movement in users with a work surface that glides to a range of heights as well as the option for caster wheels.



COMPONENT	CODE	DESCRIPTION	LIST PRICE
Line	FM2	Float Mini 2*	\$-
Work Surface and Base	WH1627BM	Cloud White Base w/16"x27" Bamboo Top	\$1,182
	BL1627BM	Carbon Black Base w/16"x27" Bamboo Top	\$1,182
	WH1627PWH	Cloud White Base w/16"x27" Cloud White Painted Wood Top	\$1,374
	BL1627PBL	Carbon Black Base w/16"x27" Carbon Black Painted Wood Top	\$1,374
	GY1627PGY	Stone Gray Base w/16"x27" Stone Gray Painted Wood Top	\$1,374
	GN1627PGN	Forest Green Base w/16"x27" Forest Green Painted Wood Top	\$1,374
	BE1627PBE	Slate Blue Base w/16"x27" Slate Blue Painted Wood Top	\$1,374
	BY1627PBY	Garnet Burgundy Base w/16"x27" Garnet Burgundy Painted Wood Top	\$1,374
	WH1627FVG	Cloud White Base w/16"x27" Vapor Gray Natural Linoleum Top	\$1,840
	BL1627FBL	Carbon Black Base w/16"x27" Carbon Black Natural Linoleum Top	\$1,840
	GY1627FGY	Stone Gray Base w/16"x27" Stone Gray Natural Linoleum Top	\$1,840
	GN1627FGN	Forest Green Base w/16"x27" Forest Green Natural Linoleum Top	\$1,840
	BE1627FBE	Slate Blue Base w/16"x27" Slate Blue Natural Linoleum Top	\$1,840
	BY1627FBY	Garnet Burgundy Base w/16"x27" Garnet Burgundy Natural Linoleum Top	\$1,840

COMPONENT	CODE	DESCRIPTION	LIST PRICE
Accessories	FMCK	Float Mini Caster Kit	\$84

*Float Mini (2nd Generation) ships with both glides and casters.



QUICKSTAND Features & Product Configurations



MONITOR MOUNT

Choose between a single or dual monitor mount

It can accommodate a monitor up to 24"

The single/dual monitor mount has a height adjustment of 5"

COLOR

Choose between black with gray trim or white with gray trim to match QuickStand into any working environment

PLATFORM







The height adjustable platform is available in either a small or large platform for varying work surface depths

The size of the small platform is: 28" wide x 11" deep (for a 24" to 29" deep work surface)

The size of the large platform is: 28" wide x 17" deep (for a 30" to 36" deep work surface)

The small and large platforms both have a height adjustment of 18"

QuickStand Product Configurations

		
<p>QSWH24CDN \$1,695</p> <p>Quickstand, white, heavy mount assembly with small platform</p>	<p>QSWH30CDN \$1,719</p> <p>Quickstand, white, heavy mount assembly with large platform</p>	<p>QSWC30CDD \$1,842</p> <p>Quickstand, white, heavy mount assembly with large platform and crossbar</p>
		
<p>QSBH24CDN \$1,695</p> <p>Quickstand, black, heavy mount assembly with small platform</p>	<p>QSBH30CDN \$1,719</p> <p>Quickstand, black, heavy mount assembly with large platform</p>	<p>QSBC30CDD \$1,842</p> <p>Quickstand, black, heavy mount assembly with large platform and crossbar</p>



QUICKSTAND Build Your Product Code

COMPONENT	CODE	DESCRIPTION	LIST PRICE
LINE	QS	QuickStand (weight capacity up to 35lbs*)	\$1,233
COLOR	B	Black	-
	W	White	-
MONITOR MOUNT STYLE	H	Heavy Monitor Mount (Single only up to 30lbs)	\$162
	C	Standard Crossbar Monitor Mount (Dual screen up to 30lbs total monitor weight. Screens up to 24" wide)	\$220
	W	Wide Crossbar Monitor Mount (Dual screen up to 30lbs total monitor weight. Screens up to 27" wide)	\$293
WORKSURFACE	24	Small Platform	\$156
	30	Large Platform	\$234
DESK MOUNT	C	Clamp Mount	-
	G	Grommet/Bolt Mount	-
	D	Dual Mount (CM+GM Mount)	\$162
	F	FreeStanding Base	\$189
LEFT SIDE CABLE SET	N	No Cables	-
	V	VGA Set (includes 1-VGA/1-Power/2-USB)	\$91
	P	Display Port Set (includes 1-Display Port/1-Power/2-USB)	\$91
	H	HDMI Set (includes 1-HDMI/1-Power/2-USB)	\$91
	D	DVI-D Set (includes 1-DVI-D/1-Power/2-USB)	\$91
	M	Mini Display Port	\$91
RIGHT SIDE CABLE SET	N	No Cables	-
	V	VGA Set (includes 1-VGA/1-Power)	\$64
	P	Display Port Set (includes 1-Display Port/1-Power)	\$64
	H	HDMI Set (includes 1-HDMI/1-Power)	\$64
	D	DVI-D Set (includes 1-DVI-D/1-Power)	\$64
	M	Mini Display Port	\$64

*QS Total weight capacity of 35lbs is the sum of the weight of the monitors plus the items placed on the work surface. Consult the monitor mount options for monitor weight guidelines.

Accessories

COMPONENT	CODE	DESCRIPTION	LIST PRICE
LINE	QSHD	Heavy Monitor Mount (Single only up to 22lbs)	\$162
	QSXCB	Standard Crossbar Monitor Mount (Dual screen up to 30lbs total monitor weight. Screens up to 24" wide)	\$281
	QSXWC	Wide Crossbar Monitor Mount (Dual screen up to 30lbs total monitor weight. Screens up to 27" wide)	\$324
DESK MOUNT	QSCM	Clamp Mount	\$162
	QSGM	Grommet/Bolt Mount	\$162
	QSDM	Dual Mount (CM+GM Mount)	\$324
	QSXFS	FreeStanding Mount	\$350
	PLATFORM SIZE	QSX24	Small platform
	QSX30	Large platform	\$260
LEFT SIDE CABLE SET	QSVG1	VGA Set (includes 1-VGA/1-Power/2-USB)	\$118
	QSDP1	Display Port Set (includes 1-Display Port/1-Power/2-USB)	\$118
	QSDM1	HDMI Set (includes 1-HDMI/1-Power/2-USB)	\$118
	QSDV1	DVI-D Set (includes 1-DVI-D/1-Power/2-USB)	\$118
	QSDM1	Mini Display Port (includes 1-MiniDisplay Port/1-Power/2 USB)	\$118
RIGHT SIDE CABLE SET	QSVG2	VGA Set (includes 1-VGA/1-Power)	\$98
	QSDP2	Display Port Set (includes 1-Display Port/1-Power)	\$98
	QSDM2	HDMI Set (includes 1-HDMI/1-Power)	\$98
	QSDV2	DVI-D Set (includes 1-DVI-D/1-Power)	\$98
	QSDM2	Mini Display Port (includes 1-MiniDisplay Port/1-Power)	\$98
CABLE MANAGEMENT	QSCMK	Cable Management Kit	\$26

*The X designator in the code is a placeholder for a color option. Replace X with B=Black and W=White







QUICKSTAND ECO



Humanscale's QuickStand Eco is the next generation in portable sit/stand products. Sleeker, easier to use and comprised of more sustainable materials than ever before, it is a vast improvement over the current generation of sit/stand options. This work surface is available in laptop, single or dual monitor configurations. QuickStand Eco features simple setup, portability and near effortless adjustability — transforming ordinary desktops into healthy, active workspaces.

QuickStand Eco Product Configurations

	
QSE2SMW \$1,006 QuickStand Eco Single Monitor, White 2 nd Generation	QSE2DMW \$1,163 QuickStand Eco Dual Monitor, White 2 nd Generation
	
QSE2SMB \$1,006 QuickStand Eco Single Monitor, Black 2 nd Generation	QSE2DMB \$1,163 QuickStand Eco Dual Monitor, Black 2 nd Generation

Accessories

CODE	DESCRIPTION	LIST PRICE
QSEWZCL	QuickStand Eco 1 st Generation Conversion kit to laptop model from any monitor model, White	\$44
QSEWLCS	QuickStand Eco 1 st Generation Conversion kit from laptop model to single monitor model, White	\$146
QSEWLCD	QuickStand Eco 1 st Generation Conversion kit from laptop model to dual monitor model, White	\$291
QSEWSCD	QuickStand Eco 1 st Generation Conversion kit from single monitor model to dual monitor model, White	\$291
QSEBZCL	QuickStand Eco 1 st Generation Conversion kit to laptop model from any monitor model, Black	\$44
QSEBLCS	QuickStand Eco 1 st Generation Conversion kit from laptop model to single monitor model, Black	\$146
QSEBLCD	QuickStand Eco 1 st Generation Conversion kit from laptop model to dual monitor model, Black	\$291
QSEBSCD	QuickStand Eco 1 st Generation Conversion kit from single monitor model to dual monitor model, Black	\$291
QSEDP10	Display Port 10' (3m) Cable	\$33
QSEMDP10	Mini Display Port 10' (3m) Cable	\$35
QSEDDVID10	DVI-D 10' Cable (3m) Cable	\$28
QSEHDMI10	HDMI 10' Cable (3m) Cable	\$29
QSEVGA10	VGA 10' (3m) Cable	\$17
QSEPE10	Power Extender ICE 320 C13 to C14	\$13
QSEUSBA2	USB 2.0 Extender 6.5' (2m) Online 2 cables	\$20
QSEBDCS	QS Eco Dual to Single Conversion, Black	\$128
QSEWDCS	QS Eco Dual to Single Conversion, White	\$128



QUICKSTAND UNDER DESK



QuickStand Under Desk allows users to seamlessly alternate between sitting and standing postures without interrupting workflow. The continuous force mechanism is enclosed within a central column beneath the desk surface, so views are unobstructed in the sit position. Offering effortless functionality and a sleek, modern design, QuickStand Under Desk is an understated workspace wellness solution that blends into any environment.

Main assembly holds single and dual monitors up to max total weight of 35 lbs.

Designed to accommodate users of varying heights with 18" of work surface adjustment

Minimal footprint allows for more use of the desktop area

Provides built-in cable management

Compatible with OfficeIQ — Humanscale’s innovative sit/stand alert software

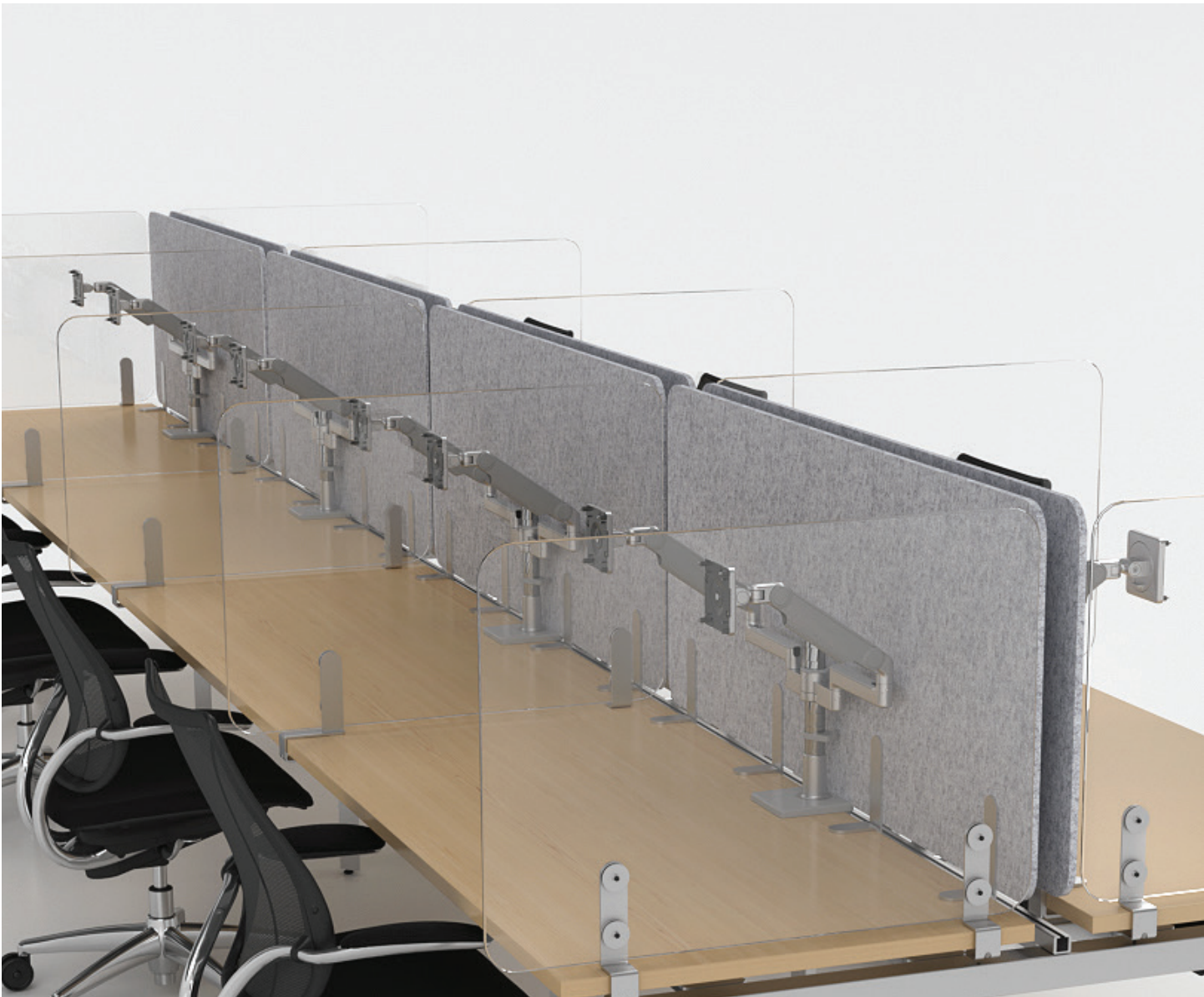
Compatible with Humanscale’s best-selling line of M2, M8 and M/Flex monitor arms.

*Monitor arms are not included and may be ordered separately. QuickStand Under Desk may also be retrofitted to existing monitor arms.

Build Your Product Code

COMPONENT	CODE		LIST PRICE
Product Group	QSU	QuickStand Under Desk Base	-
Color	W	White	-
	B	Black	-
Monitor Mount Style	M2	M2 Monitor Arm Mount (monitor arm sold separately)	\$1,377
	M8	M8 Monitor Arm Mount (monitor arm sold separately)	\$1,377
	MF	M/Flex Monitor Arm Mount (monitor arm sold separately)	\$1,377
	FS	Single Monitor Mount Fixed (six fixed heights to choose from)	\$1,533
	FD	Wide Crossbar Monitor Mount Fixed (six fixed heights to choose from)	\$1,808
Monitor arm bracket color*	S	Silver	-
	W	White	-
	B	Black	-
	-	Select For Fixed Monitor Mount	-

* Monitor arm bracket color is used for only the M2, M8 and Mflex monitor mount styles. The main assembly is always black or white.



Separation Panels

Studies show that constant peripheral interruptions in the workplace can have a negative effect on employee well-being and productivity. Humanscale's WellGuard Separation Panels offer the perfect balance of visual and acoustical privacy in collaborative open-office desking applications. Designed to accommodate a wide variety of environments, Humanscale's WellGuard Separation Panels are customizable, easy to install or uninstall when no longer required, and are highly durable over the course of time.

WellGuard Separation Panels Pricing

COMPONENT	CODE	DESCRIPTION	CAD LIST PRICE
PRODUCT FAMILY	WG	Wellguard Separation Panel	-
PLACEMENT	-	No Panel	-
	S	Side	-
	E	Extended Side (4" Overhang)	\$79
	R	Rear (no modesty)	-
	M	Rear (with modesty)	\$79
HEIGHTS	24	24"	-
	30	30"	\$158
	36	36"	\$237
WIDTHS	NP	No Panel	-
	24	24" (side only)	\$396
	30	30" (side only)	\$403
	36	36" (rear only)	\$411
	42	42" (rear only)	\$411
	48	48" (rear only)	\$411
	54	54" (rear only)	\$427
	60	60" (rear only)	\$427
	66	66" (rear only)	\$427
	72	72" (rear only)	\$427
MOUNTING OPTION COLORS	N	No Color	-
	S	Silver	-
MOUNTING OPTIONS	N	No Mount	-
	O	Offset Clamp (rear and side)	\$32
	T	Top Clamp (rear and side, not compatible with modesty)	\$32
	D	Top Direct Mount (rear and side)	\$32
	L	L Bracket (rear and side)	\$32
	E	Front Clamp (side only) - <i>Maximum size is 36 x 30</i>	\$32
	F	Freestanding (side only)	\$32
MATERIALS	N	No Panel	-
	F	Felted PET	-
	P	PETG	\$79
MATERIAL COLOR OPTIONS	NP	No Panel	-
	DG	Dark Grey (Felted PET only)	-
	LG	Light Grey (Felted PET only)	-
PETG OPTIONS	CL	Clear PETG	-
TRANSACTION CUTOUPS <i>Available only on PETG, Rear, and Side Options, Left Handed side for Frosted, Cutout of 42/48/54 will not be centered</i>	N	No Cutout	-
	2	2 x 12	\$127
	6	6 x 12	\$127

SPECIFICATION NOTES:

- For panel only with no brackets, please utilize please utilize the N/NP codes. For example, the following format: WG-24NPSNNNP
- 18"/24"/30"/36" wide screens utilize two brackets, 42"/48"/54" wide screens utilize three brackets, and 60"/66"/72" wide screens utilize four brackets
- For front clamp, maximum size is 36"h x 30"w
- All clamp mounts will accomodate desk thicknesses .75-1.4"
- Nominal dimensions for the panels are -2" for the rear and -1" for the side. Please refer to the spec guide for more details.
- PETG panels are 1/4" Thick
- Felted PET panels are 1/2" Thick



Panel Mount Pricing

COMPONENT	CODE	DESCRIPTION	CAD LIST PRICE
PRODUCT FAMILY	WG	Wellguard Separation Panel	-
PLACEMENT	N	No Panel	-
	P	Panel Mount	-
HEIGHTS	12	12"	-
	14	14"	\$32
	16	16"	\$63
	18	18"	\$95
	20	20"	\$127
	22	22"	\$127
	24	24" (actual is 23.61)	\$127
WIDTHS	NP	No Panel	-
	18	18"	\$396
	24	24"	\$396
	30	30"	\$396
	36	36"	\$427
	42	42"	\$427
	48	48"	\$427
	54	54"	\$427
	60	60"	\$475
	66	66"	\$475
	72	72"	\$475
MOUNTING OPTION COLORS	N	No Color	-
	S	Silver	-
MOUNTING OPTIONS	N	No Mount	-
	0	.5 - 1	\$32
	1	1" - 1.5"	\$32
	2	1.5" - 2.5"	\$32
	3	2.25" - 3.5"	\$32
	4	3.5 - 4.5	\$32
MATERIALS	N	No Panel	-
	F	Felted PET	-
	P	PETG	\$79
MATERIAL COLOR OPTIONS	NP	No Panel	-
	DG	Dark Grey (Felted PET only)	-
	LG	Light Grey (Felted PET only)	-
PETG OPTIONS	CL	Clear PETG	-

SPECIFICATION NOTES:

- For panel only with no brackets, please utilize the N/NP codes. For example, the following format: WGNNPNPS(X)
- 18"/24"/30"/36" wide screens utilize two brackets, 42"/48"/54" wide screens utilize three brackets, and 60"/66"/72" wide screens utilize four brackets
- Nominal dimensions for the panel widths for the panel mounts (only) are -1/4" off the total width.
- PETG panels are 1/4" Thick
- Felted PET panels are 1/2" Thick



Replacement Parts

\$28 List Each

WORKSURFACE	BRACKET TYPE	24H	30H	36H
	Offset Clamp	WG24O	WG30O	WG36O
	Top Clamp	WG24T	WG30T	WG36T
	Top Direct Mount	WG24D	WG30D	WG36D
	L Bracket	WG24L	WG30L	WG36L
	Freestanding	WG24F	WG30F	WG36F
	Front Clamp	WG24E	WG30E	
	Rear Foot for Front Clamp	WG24R	WG30R	

PANEL	BRACKET TYPE	12/14/16/18H	20/22/24H
	Size 0	WGPS0	WGPL0
	Size 1 (1-1.5in)	WGPS1	WGPL1
	Size 2 (1.5-2.5in)	WGPS2	WGPL2
	Size 3 (2.5-3.5in)	WGPS3	WGPL3
	Size#4 (3.5-4.5in)	WGPS4	WGPL4



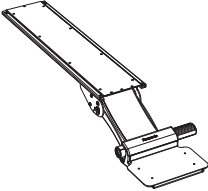
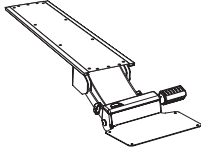
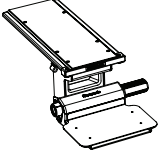
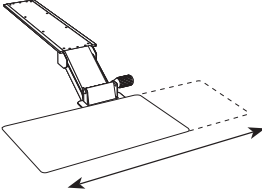
Ergo Tools

A key component of an ergonomic workstation, a well-designed articulating keyboard system works in conjunction with a monitor arm and task chair to promote healthy, comfortable posture. Humanscale keyboard supports lightrally bring the work to you, allowing you to sit back in your chair while providing serious protection from carpal tunnel syndrome, neck and back pain, and other musculoskeletal issues.

Build Your Keyboard System Product Code



STEP 1: MECHANISM OPTIONS

		LIST			LIST	
	<p>6G (Black), 6GW (White)</p> <p>Humanscale's most advanced keyboard mechanism to date, the 6G provides intuitive ergonomic adjustability and unmatched styling.</p> <p>7" height adjustment (1.75" above track to 5.25" below track)</p> <p>Comes standard with 21.625" track</p>	\$364			<p>6GSM (Black)</p> <p>The 6G Short Mechanism provides 6G functionality with a shorter arm for small workstations and tight spaces.</p> <p>4" height adjustment (0.5" above track to 3.5" below track)</p> <p>Comes standard with 18" track</p>	\$385
	<p>6FB (Black), 6FW (White)</p> <p>Designed exclusively for the Float, the 6F incorporates simple dial-a-tilt adjustability and modern styling ideal for all height-adjustable tables.</p> <p>No height adjustment Only for use with height-adjustable tables</p>	\$245			<p>LS</p> <p>The Lateral Slider allows the platform to be adjusted left or right a total of 8" for optimal keyboard positioning. It can be ordered with any keyboard mechanism by indicating "LS" after the mechanism code (e.g., 6GLS or 6GWLS).</p>	\$120



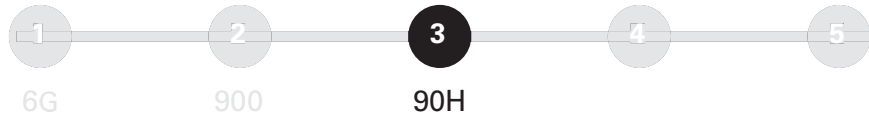
Build Your Keyboard System Product Code (cont.)



STEP 2: KEYBOARD PLATFORM OPTIONS	CODE	Description	List Price	MAP Price
	900	Standard Available in White with 6GW.	\$141	\$81
	500	Big Comes with built-in mousing surface. Not available with other mouse platform options. Available in White with 6GW. If selected with 6FB or 6FW, then 14" track must be used.	\$212	\$116
	950	Standard Compact Available in White with 6GW.	\$141	\$81
	550	Big Compact Comes with built-in mousing surface. Not available with other mouse platform options. Available in White with 6GW. If selected with 6FB or 6FW, then 14" track must be used.	\$212	\$116
	259	Float Platform Comes with built-in mousing surface. Not available with other mouse platform options. Only available with 6FB and 6FW. Must be used with 12.5" track.	\$182	\$93
	400	Diagonal Big Comes with built-in mousing surface. Not available with other mouse platform options.	\$212	\$115
	100	Combo	\$141	\$81



Build Your Keyboard System Product Code (cont.)



STEP 3: MOUSE PLATFORM OPTIONS

	CODE	DESCRIPTION	LIST
	90	8.5" Clip	\$101
	90H	8.5" High Clip	\$101
<i>Available in White with 6GW.</i>			
<i>90 Clip Mouse: 0.95" - 1.8" above keyboard platform</i>			
<i>90H Clip Mouse: 1.15" - 2" above keyboard platform</i>			
	11R	8" Swivel Right	\$69
	11L	8" Swivel Left	\$69
	11D	8" Swivel Dual	\$140
<i>Available in White with 6GW.</i>			
<i>Not available with 5GV.</i>			
	12R	10" Swivel Right	\$69
	12L	10" Swivel Left	\$69
	12D	10" Swivel Dual	\$140
<i>Available in White with 6GW.</i>			
<i>Not available with 5GV.</i>			
	81R	M2 Right	\$69
	81L	M2 Left	\$69
	81D	M2 Dual	\$140
<i>Not available in White with 6GW.</i>			
<i>Not available with 5GV.</i>			



Build Your Keyboard System Product Code (cont.)



STEP 4: PALM SUPPORT OPTIONS

CODE	DESCRIPTION	COLOR	LIST
F	19" Foam with synthetic leather cover	B/G	\$32
G	19" Gel with synthetic leather cover	B/G	\$57
S	19" Slim palm support	B/G	\$57
F20	20" Foam with synthetic leather cover	B	\$32
G20	20" Gel with synthetic leather cover	B/G	\$57
F27	27" Foam with synthetic leather cover	B	\$38
G27	27" Gel with synthetic leather cover	B	\$65
FMP	20" and 7" Foam with synthetic leather cover	B	\$48
GMP	20" and 7" Gel with synthetic leather cover	B	\$80
SMP27	19" and 7" Slim palm support	B/G	\$80
F25	25" Foam with synthetic leather cover	B	\$38
G25	25" Gel with synthetic leather cover	B	\$64
SMP25	19" and 5" Slim palm support	B/G	\$78
MP7F	7" Foam with synthetic leather cover	B	\$20
MP7G	7" Gel with synthetic leather cover	B/G	\$25
SMP7	7" Slim palm support	B/G	\$25
SMP5	5" Slim palm support	B/G	\$22

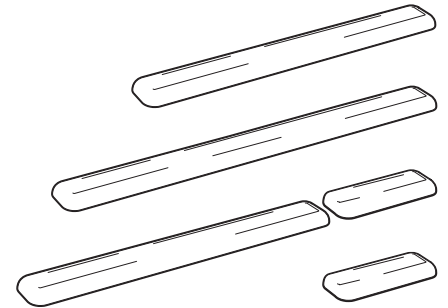
For 400 and 500 boards only

For 550 boards only

All Build-Your-Own palm supports are available in Black only, unless otherwise noted.

B = Black

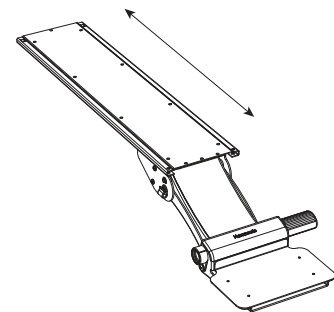
G = Gray



STEP 5: TRACK OPTIONS


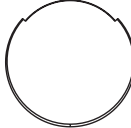
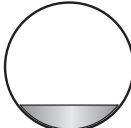
CODE	DESCRIPTION	LIST
27	27" Track	N/C
25	25" Track	N/C
22	Standard 21.625" Track	N/C
18	18" Track	N/C
16	16" Track	N/C
14	14" Track	N/C
12	12.5" Track for 259 board only	N/C
11	11" Track	N/C
Replacement Tracks with Hardware Pack (if ordering without mechanism)		
RT27.	27" Track	\$84
RT25.	25" Track	\$78
RT22.	Standard 21.625" Track	\$62
RT18.	18" Track	\$62
RT16.	16" Track	\$62
RT14.	14" Track	\$62
RT12.	12.5" Track	\$62
RT11.	11" Track	\$62

All keyboard systems ship with track lengths as noted in Step 1 unless a different track length is specified. Please use these codes to order a specific track for your system.

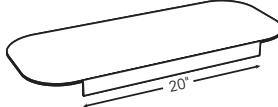



Keyboard System Accessories

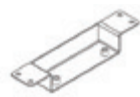
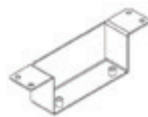

MOUSE PLATFORM OPTIONS

	LIST	
  	HSMP12TIPS	\$7
	8" Ergo Tips Mouse Pad For 8" – 8.5" mouse platforms	
	HSMP12TIPS10	\$9
	9" Ergo Tips Mouse Pad For 10" mouse platforms	
	CMPGEL8	\$38
	8.5" Gel Mouse Pad - Black	
	CMPGEL8SLV	\$38
	8.5" Gel Mouse Pad - Silver For 90 or 90H Clip Mouse	
	CMPGEL	\$38
	10" Gel Mouse Pad - Black	
CMPGELSLV	\$38	
10" Gel Mouse Pad - Silver For 91 or 91H Clip Mouse		
MPGEL8	\$30	
8.5" Gel Mouse Pad		
MPGEL10	\$38	
10" Gel Mouse Pad		

CORNER SLEEVES

	LIST	
 	DE100	\$186
	29.5" x 12.188" Fits desks 1" to 1.5" thick	
	DE200	\$117
	16" diameter DE200 fits desks 1" to 1.5" thick	

DROP-DOWN SPACERS

  	SPACERSM	\$37
	1.25" Spacer	
	SPACERMD	\$47
	2.25" Spacer	
	SPACERLG	\$150
	3" Spacer	

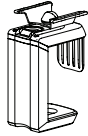
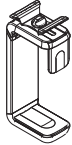

NOTE: Set includes front and back spacers for attaching keyboard mech track




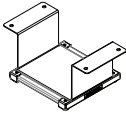
Build Your CPU Product Code

Sample Product Code - CPU20011




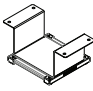
CPU HOLDERS

		LIST	
	CPU200 (Black)	\$244	
	CPU200W (White)	\$244	
Fits CPUs 1" - 5" wide by 6" - 12" high Max CPU Weight: 15 lbs. Installed Dimensions: 6.7" Width, CPU Height + 3.8"			
	CPU600 (Black)	\$272	
	CPU600W (White)	\$272	
Fits CPUs 3.5" to 9" wide by 12" to 20" high Max CPU Weight: 50 lbs. Installed Dimensions: 7" or CPU Width + 1.7" (whichever is greater), CPU Height + 3.6"			
	TCH - UNDERDESK	\$194	
	TCH - CROSSBEAM	\$231	
Thin Client Holder accommodates 1"-2" thickness. Height: 2.3"-3.3" (58-84mm) Width: 5.5" (140mm) Depth: 4.8" (122mm) Weight Capacity: 5 lbs (2.27 kg)			

CPU MOUNTS

		LIST	
	11	11" Track	N/C
	16	16" Track	N/C
	22	22" Track	N/C
	STK14	Swivel Track Upgrade Kit for CPU450	\$50
	FCBS (Silver)	Float CPU Bracket	N/C
	FCBW (White)	Float CPU Bracket	N/C
	FCBB (Black)	Float CPU Bracket	N/C

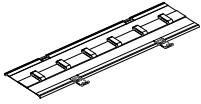
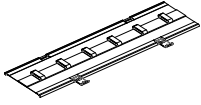
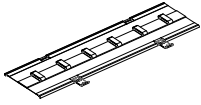




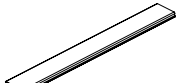
CPU HOLDERS - REPLACEMENT PARTS

		LIST	
CPU ACCESSORIES			
	CPU555STOOL	\$39	
	Replacement Tool Kit for CPU555SEC (comes standard with CPU555SEC)		
	CPU555SECKIT	\$72	
	Retrofit Security Kit for CPU555 (comes standard with CPU555SEC)		
REPLACEMENT TRACKS WITH HARDWARE			
	RT11	11" Track	\$62
	RT16	16" Track	\$62
	RT22	22" Track	\$62
	STK14	Swivel Track Upgrade Kit for CPU450	\$50
REPLACEMENT BRACKET WITH HARDWARE			
	FCBS	Float CPU Bracket (Silver)	\$92
	FCBW	Float CPU Bracket (White)	\$92
	FCBB	Float CPU Bracket (Black)	\$92



Ergonomic Accessories

CABLE MANAGEMENT

		LIST
NEATTECH — MINI		\$227
	NT1MGG (Pinstripe Graphite Basket / Gray trim) NT1MBB (Catena Black Basket / Black Trim) NT1MPG (Catena Poppy Seed Basket / Gray Trim) NT1MWG (Pinstripe White Basket / Gray Trim) 24" L x 4.5" D x 4" W	
NEATTECH — SMALL		\$244
	NT1SGG (Pinstripe Graphite Basket / Gray trim) NT1SBB (Catena Black Basket / Black Trim) NT1SPG (Catena Poppy Seed Basket / Gray Trim) NT1SWG (Pinstripe White Basket / Gray Trim) 38" L x 4.5" D x 4" W	
NEATTECH — LARGE		\$260
	NT1LGG (Pinstripe Graphite Basket / Gray trim) NT1LBB (Catena Black Basket / Black Trim) NT1LPG (Catena Poppy Seed Basket / Gray Trim) NT1LWG (Pinstripe White Basket / Gray Trim) 48" L x 4.5" D x 4" W	
NEATLINKS — SMALL 17"		\$31
	NL1S17B (Black) NL1S17G (Gray) Small 2.6" Diameter, 17" Length	
NEATLINKS — LARGE 17"		\$33
	NL1L17B (Black) NL1L17G (Gray) Large 3.6" Diameter, 17" Length	
NEATLINKS — SMALL 24"		\$33
	NL1S24B (Black) NL1S24G (Gray) Small 2.6" Diameter, 24" Length	
NEATLINKS — LARGE 24"		\$36
	NL1L24B (Black) NL1L24G (Gray) Large 3.6" Diameter, 24" Length	
NEATLINKS SLIM		\$40
	NL1SL21W (White) NL1SL21B (Black) NL1SL21G (Gray) 2.75" Diameter, 20.6" Length	

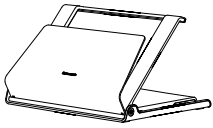





		LIST
NEATUP for FLOAT		\$450
	NU1NAFTW (White Finish) NU1NAFTB (Black Finish) Available with Classic Foot only. Available for Standard Range tables only.	
NEATUP for eFLOAT LITE		\$450
	NU1NAELW (White Finish) NU1NAELB (Black Finish) Available with Classic Foot only. Available for Standard Range tables only.	
NEATUP for eFLOAT FLEX		\$450
	NU1NAEFW (White Finish) NU1NAEFB (Black Finish) Available with Classic Foot only. Available for Standard Range tables only.	
NEATUP 2.0 — Data Only Models		\$380
	NU2NADTW (White Finish) NU2NADTG (Gray Finish) NU2NADTB (Black Finish)	
NEATUP 2.0 — Power Only Models		\$515
	NU2NAPWW (White Finish) NU2NAPWG (Gray Finish) NU2NAPWB (Black Finish)	
NEATUP 2.0 — Power + Data Models		\$849
	NU2NACOW (White Finish) NU2NACOG (Gray Finish) NU2NACOB (Black Finish)	



Ergonomic Accessories


LAPTOP HOLDERS & ACCESSORIES

LIST

Notebook Manager		
	L6 Maximum Dimensions: 13.5" W x 10.9" D x 10.1" H 7.3" height adjustability (Accommodates notebook computers at least 10" wide and 6" deep, and up to 1.5" thick)	\$234
Tech Tray		
	TT 12" W x 14" D Comes standard with 22" track. Sits 3.5" below track.	\$154
Tech Tray Short		
	TT-SHORT 10" W x 14" Comes standard with 22" track. Sits 3.5" below track.	\$137
Pro Click Mouse		
	PROCLICK-NA Highly functional, the tilt-click scroll wheel and each secondary button are easily accessible. Wireless.	\$255
NeatHub		
	NH1NAPPCAB (black) \$343 NH1NAPPCAW (white) \$343 Includes 2 AC power outlets, 1 USB-C outlet and 1 USB-A outlet 5.6" W x 4.2" D x 3.6" H 1.84 lbs	
NeatCharge		
	NC2NAGSE Wirelessly charges Qi-compatible devices up to 10W. 5.14" W x 0.58" H 7.94 oz	\$321
	NC2NAGSE-QUAD Wirelessly charges Qi-compatible devices up to 10W. 5.14" W x 0.58" H (x4) 7.94 oz (x4)	\$1,316

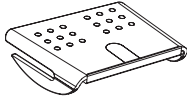


FLOOR MAT

LIST

Monarch Floor Mat		
	MONARCH-G (Grey) 20" H x 29" W x 0.8" D	\$427

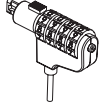

FOOT RESTS

LIST

Foot Rocker 500		
	FR500C (Cherry) \$195 FR500K (Black) \$195 12.25" D x 16.75" W x 4.5" H	
Foot Rocker 300		
	FR300 (Natural) \$195 11.875" D x 16" W Height Range: 3.75" to 6.75"	
Foot Rocker 100		
	FR100 (Natural) \$195 11.75" D x 19" W x 3.375" H	

SECURITY LOCK

LIST

Security Lock		
	SECLOCK \$44 For CPUs, laptops, flat panels, etc. Combination lock with 3' cord. Fits all units with standard security keyhole	
Keyed Security Lock		
	TT1 \$44 For CPUs, laptops, flat panels, etc. Keyed lock with 2' cord. Fits all units with standard security keyhole	

